

NanoSpray[®] III Ion Source Consumables

This document identifies the consumables for the NanoSpray III ion source, and provides AB SCIEX and manufacturer's part numbers.

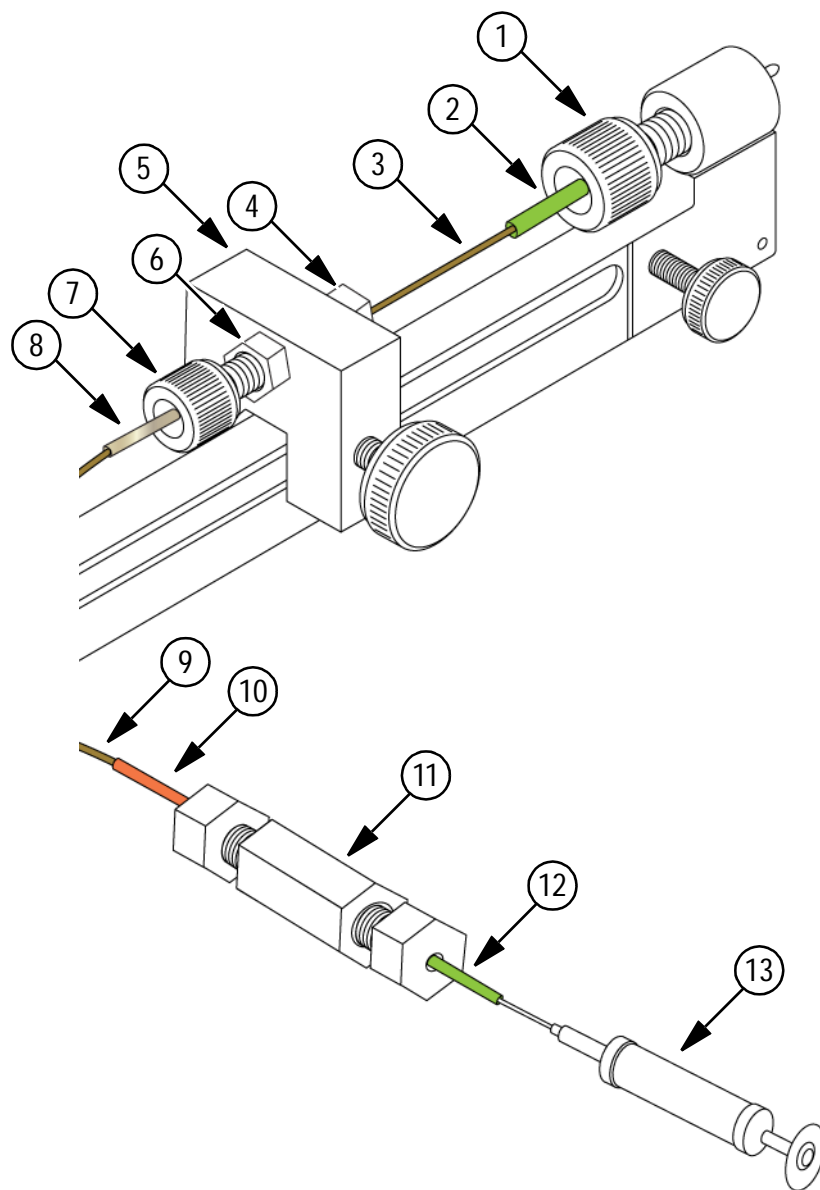


Figure 1 NanoSpray III Consumables

Item	Description	Manufacturer PN
1	Sprayer fitting. Orderable as part of the Consumables kit, AB SCIEX PN 5015693.	Upchurch F-120X
2	Green FEP sleeve (1.58 mm o.d., 38 mm i.d.). Orderable as part of the Consumables kit, AB SCIEX PN 5015693.	Upchurch F-242X

Figure 1 NanoSpray III Consumables (Continued)

Item	Description	Manufacturer PN
3	Emitter tip (precut, 7 cm). Orderable as part of the Consumables kit, AB SCIEX PN 5015693.	New Objective FS360-20-10-N-5-7CT
4	Finger-tight PEEK hex nut. Orderable as part of the Consumables kit, AB SCIEX PN 5015693, and in the Union Holder Fittings Kit, PN 5021154.	VICI Valco Instruments C360NFPK
5	Union holder, AB SCIEX PN 5016361 (includes the straight union).	See 5015902
6	Straight union. Orderable as part of the Consumables kit, AB SCIEX PN 5015693, and the Union Holder Fittings Kit, PN 5021154. The union and holder are available as PN 5016361.	VICI Valco Instruments C360RU.5FS2. Union and holder are orderable as 5016361.
7	Finger-tight PEEK nut. Orderable as part of the Consumables kit, AB SCIEX PN 5015693, and the Union Holder Fittings Kit, PN 5021154.	VICI Valco Instruments ZNF.5FPK
8	Tan PEEK sleeve (1/32 inch o.d., 0.015 inch i.d.). Orderable as part of the Consumables kit, AB SCIEX PN 5015693, and the Union Holder Fittings Kit, PN 5021154.	IDEX Health & Science F-385x
9	Fused silica (100 cm, 75 µm i.d., 360 µm o.d.)*. Orderable as part of the Consumables kit, AB SCIEX PN 5015693, and the Syringe Union Fittings Kit, PN 5021156.	Polymicro TSP075375
10	Orange PEEK sleeve (0.0625 inch o.d.). Orderable as part of the Consumables kit, AB SCIEX PN 5015693, and the Syringe Union Fittings Kit, PN 5021156.	Upchurch F-230X
11	Syringe union. Orderable as part of the Consumables kit, AB SCIEX PN 5015693, and the Syringe Union Fittings Kit, PN 5021156.	VICI Valco Instruments ZU1C
12	Green PEEK sleeve (1/16 inch o.d., 0.030 inch i.d.). Orderable as part of the Consumables kit, AB SCIEX PN 5015693, and the Syringe Union Fittings Kit, PN 5021156.	Upchurch 1533
13	100 µL syringe. Orderable as part of the Consumables kit, AB SCIEX PN 5015693.	Hamilton 81085

* To connect with a nanoLC system, we recommend the use of the smallest practical length of 25 µm i.d. fused silica (AB SCIEX PN 1036842, Polymicro TSP025375).



This document is provided to customers who have purchased AB Sciex equipment to use in the operation of such AB Sciex equipment. This document is copyright protected and any reproduction of this document or any part of this document is strictly prohibited, except as AB Sciex may authorize in writing.

Software that may be described in this document is furnished under a license agreement. It is against the law to copy, modify, or distribute the software on any medium, except as specifically allowed in the license agreement. Furthermore, the license agreement may prohibit the software from being disassembled, reverse engineered, or decompiled for any purpose.

Portions of this document may make reference to other manufacturers and/or their products, which may contain parts whose names are registered as trademarks and/or function as trademarks of their respective owners. Any such use is intended only to designate those manufacturers' products as supplied by AB Sciex for incorporation into its equipment and does not imply any right and/or license to use or permit others to use such manufacturers' and/or their product names as trademarks.

AB Sciex makes no warranties or representations as to the fitness of this equipment for any particular purpose and assumes no responsibility or contingent liability, including indirect or consequential damages, for any use to which the purchaser may put the equipment described herein, or for any adverse circumstances arising therefrom.

For research use only. Not for use in diagnostic procedures.

The trademarks mentioned herein are the property of AB Sciex Pte. Ltd. or their respective owners.
AB SCIEX™ is being used under license.



AB SCIEX
71 Four Valley Dr., Concord, Ontario, Canada. L4K 4V8.
AB Sciex LP is ISO 9001 registered.
© 2012 AB SCIEX.
Printed in Canada.