



Parts and Equipment Guide

for Ion Sources and Mass Spectrometers



This document is provided to customers who have purchased SCIEX equipment to use in the operation of such SCIEX equipment. This document is copyright protected and any reproduction of this document or any part of this document is strictly prohibited, except as SCIEX may authorize in writing.

Software that may be described in this document is furnished under a license agreement. It is against the law to copy, modify, or distribute the software on any medium, except as specifically allowed in the license agreement. Furthermore, the license agreement may prohibit the software from being disassembled, reverse engineered, or decompiled for any purpose. Warranties are as stated therein.

Portions of this document may make reference to other manufacturers and/or their products, which may contain parts whose names are registered as trademarks and/or function as trademarks of their respective owners. Any such use is intended only to designate those manufacturers' products as supplied by SCIEX for incorporation into its equipment and does not imply any right and/or license to use or permit others to use such manufacturers' and/or their product names as trademarks.

SCIEX warranties are limited to those express warranties provided at the time of sale or license of its products and are SCIEX's sole and exclusive representations, warranties, and obligations. SCIEX makes no other warranty of any kind whatsoever, expressed or implied, including without limitation, warranties of merchantability or fitness for a particular purpose, whether arising from a statute or otherwise in law or from a course of dealing or usage of trade, all of which are expressly disclaimed, and assumes no responsibility or contingent liability, including indirect or consequential damages, for any use by the purchaser or for any adverse circumstances arising therefrom.

For Research Use Only. Not for use in Diagnostic Procedures.

AB Sciex is operating as SCIEX.

The trademarks mentioned herein are the property of AB Sciex Pte. Ltd. or their respective owners.

AB SCIEX™ is being used under license.

© 2018 AB Sciex



AB Sciex Pte. Ltd.
Blk33, #04-06 Marsiling Industrial Estate Road 3
Woodlands Central Industrial Estate, Singapore 739256

Contents

1 Introduction.....	4
2 Spare Parts.....	5
Mass Spectrometer.....	5
Mass Spectrometer Power Cables.....	5
Roughing Pump	6
Turbo V™, IonDrive™ Turbo V, and DuoSpray™ Ion Sources.....	6
OptiFlow™ Turbo V Ion Source.....	8
NanoSpray® Ion Source.....	9
3 Consumables.....	10
Mass Spectrometer.....	10
Roughing Pump.....	11
Turbo V™ and IonDrive™ Turbo V Ion Sources.....	12
OptiFlow™ Turbo V Ion Source.....	15
DuoSpray™ Ion Source.....	16
NanoSpray® Ion Source.....	17
Calibrant Delivery System (CDS, TripleTOF® Systems).....	19
Calibration Solutions.....	19

Note: Only parts and equipment listed in this guide are serviceable by the customer. Contact a Field Service Employee (FSE) for information about other parts.

This guide applies to non-MD systems, including:

- 3200 series systems
- SCIEX Triple Quad™ 3500 systems
- 4000 series systems
- 4500 series systems
- 5500 series systems
- SCIEX Triple Quad™ 5500+ systems
- 6500 and 6500 + series systems
- TripleTOF® 4600 systems
- TripleTOF® 5600 and 5600+ systems
- TripleTOF® 6600 and 6600+ systems
- SCIEX X500 QTOF systems

Ion sources detailed in the guide include:

- Turbo V™ ion source
- IonDrive™ Turbo V ion source
- OptiFlow™ Turbo V ion source
- DuoSpray™ ion source
- NanoSpray® ion source

Spare Parts

2



WARNING! Personal Injury Hazard. Use SCIEX-recommended parts only. Use of parts not recommended by SCIEX or use of parts for any purpose other than their intended purpose can put the user at risk of harm or negatively impact system performance.

Mass Spectrometer

Table 2-1 Mass Spectrometer Spares

Part Number	Description	Remark
1040121	Orifice plate interface heater kit.	Refer to the <i>Qualified Maintenance Person Guide</i> .
5065277	Contact closure cable for CTC PAL systems	(X500 QTOF systems) Refer to the <i>Devices Setup Guide</i> .
5065278	Contact closure cable for ExionLC™, Shimadzu, Waters, and Gilson systems	(X500 QTOF systems) Refer to the <i>Devices Setup Guide</i> .
5065279	Contact closure cable for Agilent systems	(X500 QTOF systems) Refer to the <i>Devices Setup Guide</i> .

Mass Spectrometer Power Cables

Table 2-2 Mass Spectrometer Power Cable Spares

Part Number	Description	Remark
001461	North America	Refer to the <i>Site Planning Guide</i> .
5027349	United Kingdom	Refer to the <i>Site Planning Guide</i> .
5027461	Switzerland	Refer to the <i>Site Planning Guide</i> .
5027503	Italy	Refer to the <i>Site Planning Guide</i> .
5027841	Central Europe	Refer to the <i>Site Planning Guide</i> .

Spare Parts

Table 2-2 Mass Spectrometer Power Cable Spares (continued)

Part Number	Description	Remark
5028400	South Korea	Refer to the <i>Site Planning Guide</i> .
5028431	Australia	Refer to the <i>Site Planning Guide</i> .
5029429	Japan	Refer to the <i>Site Planning Guide</i> .
5029431	China	Refer to the <i>Site Planning Guide</i> .
5044093	India	Refer to the <i>Site Planning Guide</i> .

Roughing Pump

Table 2-3 Roughing Pump Spares

Part Number	Description	Remark
028685	Roughing pump oil return line for the HS602 roughing pump.	For 3200, 4000, and 5000 series systems. Refer to the <i>Qualified Maintenance Person Guide</i> .
1034438	Exhaust filter cartridge for the MS roughing pump.	For 6500 and 6500+ series systems.
5037860	Roughing pump oil change kit. The kit contains a roughing pump oil extraction system that simplifies and speeds up the oil change process.	Contact an FSE. Note: Not for use with the HS602 roughing pump.
9499342	Roughing pump oil exhaust filter for the HS602 roughing pump.	For 3200, 4000, and 5000 series systems. Refer to the <i>Qualified Maintenance Person Guide</i> .

Turbo V™, IonDrive™ Turbo V, and DuoSpray™ Ion Sources

For maintenance procedures, refer to the documentation that comes with the ion source.

Table 2-4 Turbo V™, IonDrive™ Turbo V, and DuoSpray™ Ion Source Spares

Part Number	Description	Remark
1005100	TurbolonSpray® probe assembly for the DuoSpray™ ion source.	Refer to the <i>DuoSpray™ Ion Source Operator Guide</i> .
5041898	Twin ESI probe assembly.	For SCIEX X500 QTOF systems. Refer to the <i>Turbo V™ Ion Source Operator Guide</i> .
5041899	Twin APCI probe assembly.	For SCIEX X500 QTOF systems. Refer to the <i>Turbo V™ Ion Source Operator Guide</i> .
5050135	APCI probe assembly. Refer to Figure 2-2 .	For SCIEX Triple Quad™, QTRAP®, and TripleTOF® systems. Refer to the <i>Operator Guide</i> for the ion source or the <i>3200 Series of Instruments System User Guide</i> .
5050136	TurbolonSpray® probe assembly. Refer to Figure 2-1 .	For SCIEX Triple Quad™, QTRAP®, and TripleTOF® systems. Refer to the <i>Operator Guide</i> for the ion source or the <i>3200 Series of Instruments System User Guide</i> .

Figure 2-1 TurbolonSpray® Probe Assembly (PN 5050136)

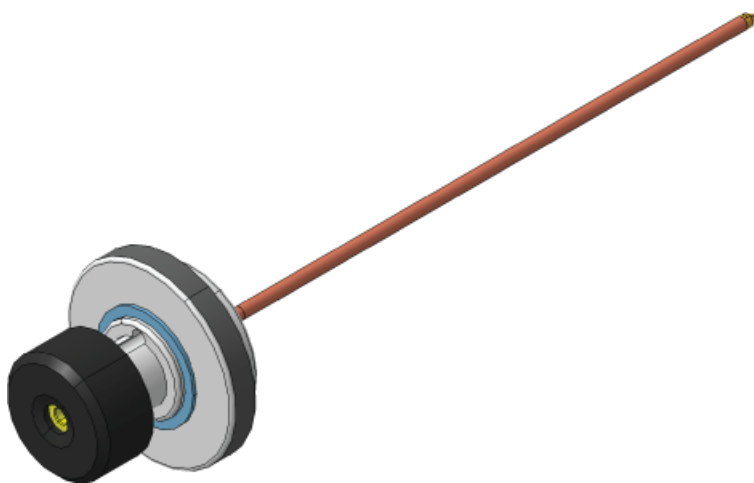
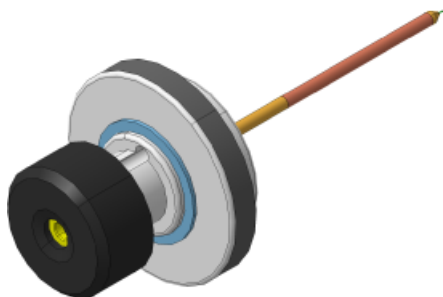


Figure 2-2 APCI Probe Assembly (PN 5050135)



OptiFlow™ Turbo V Ion Source

For maintenance procedures, refer to the documentation that comes with the ion source.

Table 2-5 OptiFlow™ Turbo V Ion Source Spares

Part Number	Description	Remark
5063236	SteadySpray ANALYTICAL probe. Flow rates greater than 50 μL	Refer to the <i>OptiFlow™ Turbo V Ion Source Operator Guide</i> .
5063235	SteadySpray MICRO probe. Flow rates between 1 μL and 50 μL	Refer to the <i>OptiFlow™ Turbo V Ion Source Operator Guide</i> .

Figure 2-3 SteadySpray MICRO or ANALYTICAL Probe



NanoSpray[®] Ion Source

For maintenance procedures, refer to the documentation that comes with the ion source.

Table 2-6 Mains Supply Cables by Country

Part Number	Country	Remark
5028431	Australia	N/A
5029431	China	N/A
5027841	Europe	N/A
5027961	Italy	N/A
5029429	Japan	N/A
400-00023	North America	N/A
5028400	South Korea	N/A
5027461	Switzerland	N/A
5027349	United Kingdom	N/A

Mass Spectrometer

For maintenance procedures, refer to the documentation that comes with the mass spectrometer.

Table 3-1 Mass Spectrometer Consumables

Part Number	Description	Remark
017819	O-ring for the vacuum interface	Refer to the <i>System User Guide</i> .
018027	Lint-free wipe	Refer to the <i>Qualified Maintenance Person Guide</i> .
1007740	Card cage air filter	For 3200 series systems. Refer to the <i>Qualified Maintenance Person Guide</i> .
1017396	Small poly swab, package of 12	Refer to the <i>Qualified Maintenance Person Guide</i> .
1027708	Mass spectrometer air filter kit including four air filters	For 3500, 4500, 5500, 5500+, 6500, and 6500+ systems. Refer to the <i>Qualified Maintenance Person Guide</i> .
1028234	Q0 cleaning tool	Refer to the <i>Qualified Maintenance Person Guide</i> .
1032854	Cooling fan filter	For TripleTOF [®] systems. Refer to the <i>Qualified Maintenance Person Guide</i> .
4376887	Triazine standard solution	Refer to the <i>Customer Familiarization Checklist</i> .
4406127	PPG MS chemical kit	Refer to the <i>Ion Source Tests, Specifications, and Data Log</i> .

Table 3-1 Mass Spectrometer Consumables (continued)

Part Number	Description	Remark
5020761	Cleaning kit, 3200, 4000, 3500, 4500, 5000, 5500, and 5500+ systems	Refer to the <i>Qualified Maintenance Person Guide</i> . Contains the small poly swab, lint-free wipe, Q0 cleaning tool, tapered QJet [®] ion guide cleaning brush, and Alconox packets.
5020763	Cleaning kit, TripleTOF [®] systems	Refer to the <i>Qualified Maintenance Person Guide</i> . Contains the small poly swab, lint-free wipe, Q0 cleaning tool, tapered QJet [®] ion guide cleaning brush, and Alconox packets.
5020893	Alconox packets	Refer to the <i>Qualified Maintenance Person Guide</i> .
5020894	Custom QJet [®] ion guide brush (tapered), 3500, 4500, 5500, and 5500+ systems	Refer to the <i>Qualified Maintenance Person Guide</i> .
5020895	Custom QJet [®] ion guide brush (tapered), 6500, 6500+, and TripleTOF [®] systems	Refer to the <i>Qualified Maintenance Person Guide</i> .
5021294	Cleaning kit, 6500 and 6500+ series systems	Refer to the <i>Qualified Maintenance Person Guide</i> . Contains the small poly swab, lint-free wipe, Q0 cleaning tool, tapered QJet [®] ion guide cleaning brush, and Alconox packets.

Roughing Pump

For maintenance procedures, refer to the documentation that comes with the mass spectrometer.

Consumables

Table 3-2 Roughing Pump Consumables

Part Number	Description	Remark
010998	Roughing pump oil for the HS602 roughing pump, 1 L	For 3200 series systems and 4000 and 5000 series systems with the HS602 roughing pump. Refer to the <i>Qualified Maintenance Person Guide</i> .
1027317	Roughing pump oil for SV roughing pumps, 1 L Note: Not for use with long-life pumps.	For 3500, 4500, 5500, 5500+, and TripleTOF® systems without the long-life pump. Refer to the <i>Qualified Maintenance Person Guide</i> . Note: Two bottles of oil might be required.
1034433	Roughing pump oil for MS roughing pumps, 1 L	For 6500 and 6500+ series systems. Refer to the <i>Qualified Maintenance Person Guide</i> .
5043115	Roughing pump oil for long-life SV roughing pumps, 1 L Note: Only for use with long-life pumps.	For 4500 and TripleTOF® systems with the long-life pump. Refer to the <i>Qualified Maintenance Person Guide</i> . Note: Two bottles of oil might be required.

Turbo V™ and IonDrive™ Turbo V Ion Sources

For maintenance procedures, refer to the documentation that comes with the ion source.

Table 3-3 Turbo V™ Ion Source and IonDrive™ Turbo V Ion Source Consumables

Part Number	Description	Remark
5051034	Corona discharge needle.	Refer to the <i>Operator Guide</i> for the ion source or the <i>3200 Series of Instruments System User Guide</i> .
5051082	Metal-encased turbo heater for the Turbo V™ ion source.	Refer to the <i>Qualified Maintenance Person Guide</i> .

Table 3-3 Turbo V™ Ion Source and IonDrive™ Turbo V Ion Source Consumables (continued)

Part Number	Description	Remark
5052616	TurboIonSpray® electrode.	For SCIEX Triple Quad™, QTRAP®, and TripleTOF® systems. Refer to the <i>Operator Guide</i> for the ion source or the <i>3200 Series of Instruments System User Guide</i> .
5053788	APCI electrode.	For SCIEX Triple Quad™, QTRAP®, and TripleTOF® systems. Refer to the <i>Operator Guide</i> for the ion source or the <i>3200 Series of Instruments System User Guide</i> .
5054421	Ceramic-encased turbo heater for the Turbo V™ ion source.	Refer to the <i>Qualified Maintenance Person Guide</i> .
5054661	Turbo heater for the IonDrive™ Turbo V ion source without covers.	Refer to the <i>Qualified Maintenance Person Guide</i> .
5049795	Twin ESI probe electrode.	For SCIEX X500 QTOF systems. Refer to the <i>Turbo V™ Ion Source Operator Guide</i> .
5054901	Twin APCI probe electrode.	For SCIEX X500 QTOF systems. Refer to the <i>Turbo V™ Ion Source Operator Guide</i> .
5058778	Turbo heater for the Turbo V™ ion source with covers.	Refer to the <i>Qualified Maintenance Person Guide</i> .
016316	Red PEEK tubing (0.005-inch bore), 100 cm	Sample tubing, 100 cm.
016325	Brown PEEK fitting, pack of 5	Sample tubing nut.
016485	Tan PEEK tubing (0.0025-inch bore)	Specify order quantity in cm.
019675	Tee insert (0.25 mm bore)	Grounding union connection.

Figure 3-1 Red PEEK Tubing (SCIEX Triple Quad™, QTRAP®, and TripleTOF® systems)

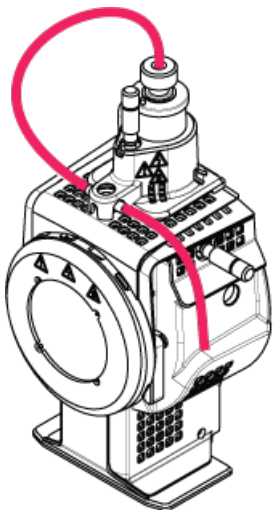
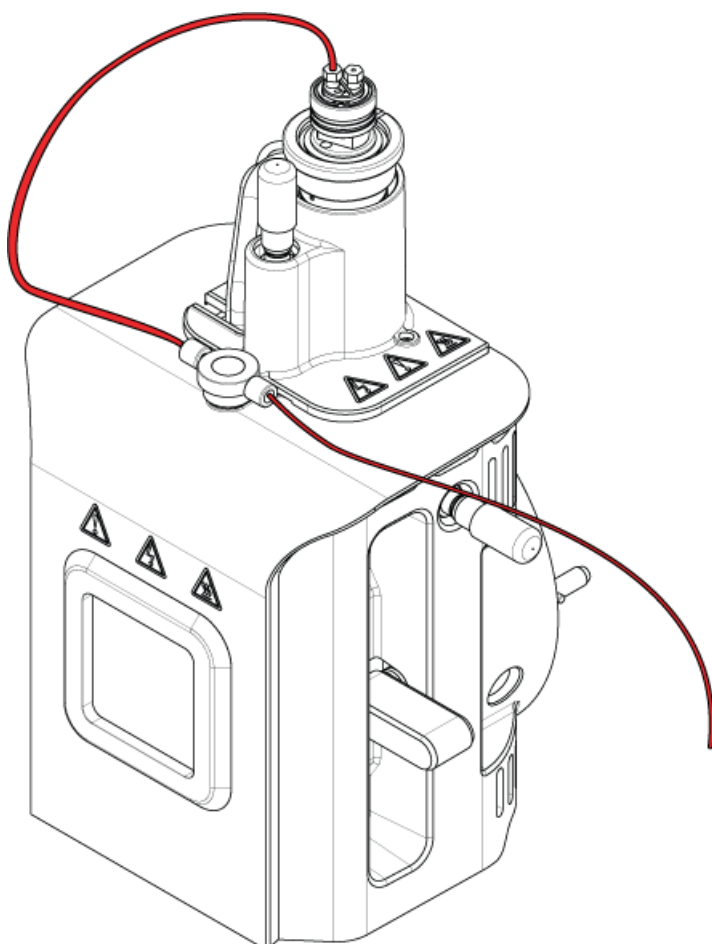


Figure 3-2 Red PEEK Tubing (SCIEX X500 QTOF systems)



OptiFlow™ Turbo V Ion Source

For maintenance procedures, refer to the documentation that comes with the ion source.

Table 3-4 OptiFlow™ Turbo V Ion Source Consumables

Part Number	Description	Remark
5061574	SteadySpray LOW MICRO electrode. Flow rates between 1 μ L and 10 μ L. Pack of 5.	Refer to the <i>OptiFlow™ Turbo V Ion Source Operator Guide</i> .
5061575	SteadySpray MICRO electrode. Flow rates between 10 μ L and 50 μ L. Pack of 5.	Refer to the <i>OptiFlow™ Turbo V Ion Source Operator Guide</i> .

Consumables

Table 3-4 OptiFlow™ Turbo V Ion Source Consumables (continued)

Part Number	Description	Remark
5061576	SteadySpray HIGH MICRO electrode. Flow rates between 50 µL and 200 µL. Pack of 2.	Refer to the <i>OptiFlow™ Turbo V Ion Source Operator Guide</i> .
5061577	SteadySpray MICRO electrodes starter pack. Mixed pack of 5 electrodes.	Refer to the <i>OptiFlow™ Turbo V Ion Source Operator Guide</i> .
5060978	Stainless steel upper fitting used for the column connection.	Refer to the <i>OptiFlow™ Turbo V Ion Source Operator Guide</i> .
5061373	PEEK upper fitting used for the column connection.	Refer to the <i>OptiFlow™ Turbo V Ion Source Operator Guide</i> .
5053325	PEEK ferrule for 1/16" OD tubing	N/A
5055764	Lower probe O-ring, 10 mm ID x 1.5 mm	N/A
5045265	Upper probe O-ring, 4 mm ID x 1.0 mm	N/A
5060726	Installation kit	This kit contains spare parts if required for a new installation.

DuoSpray™ Ion Source

For maintenance procedures, refer to the documentation that comes with the ion source.

Table 3-5 DuoSpray™ Ion Source Consumables

Part Number	Description	Remark
026626	Spring for probe	N/A
027013	Spring for corona discharge needle	N/A
027497	Gold-plated spring for HV connection	N/A
1006174	Corona discharge needle rod	Refer to the <i>DuoSpray™ Ion Source Operator Guide</i> .
1006177	Corona discharge needle tip	Refer to the <i>DuoSpray™ Ion Source Operator Guide</i> .
5052616	TurbolonSpray® electrode	Refer to the <i>DuoSpray™ Ion Source Operator Guide</i> .
5053788	APCI electrode	Refer to the <i>DuoSpray™ Ion Source Operator Guide</i> .

Table 3-5 DuoSpray™ Ion Source Consumables (continued)

Part Number	Description	Remark
016316	Red PEEK tubing (0.005-inch bore), 100 cm	For TripleTOF® systems. Sample tubing. Refer to the <i>DuoSpray™ Ion Source Operator Guide</i> .
016325	Brown PEEK fitting, pack of 5	Sample tubing nuts
1005601	PEEK tubing kit to connect to TurbolonSpray® probe, 30 cm	For SCIEX Triple Quad™ and QTRAP® systems. Refer to the <i>DuoSpray™ Ion Source Operator Guide</i> .
1005602	PEEK tubing kit to connect to APCI probe, 45 cm	For SCIEX Triple Quad™ and QTRAP® systems. Refer to the <i>DuoSpray™ Ion Source Operator Guide</i> .
5041723	PEEK Graph-tite fitting, Black, 1/16 inch, pack of 2	N/A
5045984	PEEK union in probe	N/A

NanoSpray® Ion Source

For maintenance procedures, refer to the documentation that comes with the ion source.

Table 3-6 NanoSpray® Ion Source Consumables

Part Number	Description	Remark
200-00096	Fused silica cutter	Refer to the <i>NanoSpray® Ion Source Operator Guide</i> .
200-00213	Fitting and ferrule used at the nebulizer gas port	Refer to the <i>NanoSpray® Ion Source Operator Guide</i> .
200-00303	Stainless steel union, 1/16 inches on one end, 1/32 inches on the other	Refer to the <i>NanoSpray® Ion Source Operator Guide</i> .
200-00408	PEEK fitting for 360 uM OD tubing	Refer to the <i>NanoSpray® Ion Source Operator Guide</i> .
910-00112	Adapter kit for the NanoSpray® III ion source	Includes the fittings, sleeves, adapter block and union and emitters. Refer to the <i>NanoSpray® Ion Source Operator Guide</i> .

Consumables

Table 3-6 NanoSpray® Ion Source Consumables (continued)

Part Number	Description	Remark
1003988	Syringe for the infusion test	Refer to the <i>NanoSpray® Ion Source Operator Guide</i> .
1006547	395 µm (0.0155 inch) i.d., 1/16 inch o.d. green FEP sleeve, 1.6 inch length, for use with the sprayer fitting.	Refer to the <i>NanoSpray® Ion Source Operator Guide</i> .
1034697	Optional Tee union with the makeup flow	Refer to the <i>NanoSpray® Ion Source Operator Guide</i> .
1035752	Precut (7 cm) uncoated emitter tips with 20 µm i.d., 10 µm at the tip	Refer to the <i>NanoSpray® Ion Source Operator Guide</i> .
1035770	O-ring at the front of the rail, for the nebulizer gas connection	Refer to the <i>NanoSpray® Ion Source Operator Guide</i> .
5015860	Finger-tight PEEK hex nut for the sprayer side of the straight union	Refer to the <i>NanoSpray® Ion Source Operator Guide</i> .
5015886	Syringe union for use with fused silica tubing	Refer to the <i>NanoSpray® Ion Source Operator Guide</i> .
5015900	Syringe union for use with red PEEK-lined fused silica tubing	Refer to the <i>NanoSpray® Ion Source Operator Guide</i> .
5015902	Straight union	Can also be ordered with the union holder, fittings, and thumbscrew. Refer to PN 5016361.
5016361	Straight union and holder	The complete union assembly, including the holder, union, fittings, and union thumbscrew. Refer to the <i>NanoSpray® Ion Source Operator Guide</i> .
5017932	PEEK fitting to connect the sample line (fused silica or PEEK-lined fused silica) to the union on the rail.	Refer to the <i>NanoSpray® Ion Source Operator Guide</i> .
5052735	Consumables kit	Refer to the <i>NanoSpray® Ion Source Operator Guide</i> .

Calibrant Delivery System (CDS, TripleTOF[®] Systems)

Table 3-7 Calibrant Delivery System Consumables

Part Number	Description	Quantity	Upchurch Part Number
5008141	NUT, PEEK, SHORT, 1/4-28	1	LT-115
5008152	FERRULE, PEEK, SUPER FLANGELESS	2	P-260
5008157	FITTING, PEEK, NAT, LONG,	1	F130
5008232	PLUG, ACETAL, BLACK	1	U-467BLK
5008296	TUBING, PEEK, BLUE, 1/16x.010x40CM	1	PM-1960B
5002985	TUBING, PEEK, RED, 1/16x.125x40CM	1	PM-1945R
5008298	TUBING, PEEK, GREEN, 1/16x.030x16CM	1	PM1820G
	TUBING, FEP, NAT, 1/16x.030x60CM	5	PM1000
	TUBING, FEP, NAT, 1/16x.030x17CM	1	PM1000
5008302	TUBING, FEP, GREEN, 1/16x.030x60CM	2	PM1000G
5008303	FILTER ASSY, PEEK, BOB, 1/16,10um,GL-38	2	A-453
	CAP ASSY, BOTTLE, 1/16,GL-38	5	
	FITTINGS, KNOB, BLACK	11	
	FERRULE, PEEK	11	
	NUT, RHEFLEX	11	

Calibration Solutions

Table 3-8 Calibration Solution Consumables

Part Number	Description	Quantity
4460131	APCI Positive Calibration Solution for the SCIEX TripleTOF [®] 5600 System	100 mL
4460134	APCI Negative Calibration Solution for the SCIEX TripleTOF [®] 5600 System	100 mL
4460136	APCI Positive Calibration Solution for the SCIEX TripleTOF [®] 5600 System (5-pack)	5 × 100 mL

Consumables

Table 3-8 Calibration Solution Consumables (continued)

Part Number	Description	Quantity
4460138	APCI Negative Calibration Solution for the SCIEX TripleTOF [®] 5600 System (5-pack)	5 × 100 mL
4463272	ESI Positive Calibration Solution for the SCIEX TripleTOF [®] 5600 System	100 mL
4463274	ESI Positive Calibration Solution for the SCIEX TripleTOF [®] 5600 System (5-pack)	5 × 100 mL
4463276	ESI Negative Calibration Solution for the SCIEX TripleTOF [®] 5600 System (5-pack)	5 × 100 mL
4463277	ESI Negative Calibration Solution for the SCIEX TripleTOF [®] 5600 System	100 mL