

# OptiFlow<sup>®</sup> Pro Ion Source

## MICRO Quick Start Guide

Part Number: 5078920

Document Number: RUO-IDV-05-10657-A

© 2020 DH Tech. Dev. Pte. Ltd.

For research use only. Not for use in diagnostic procedures.

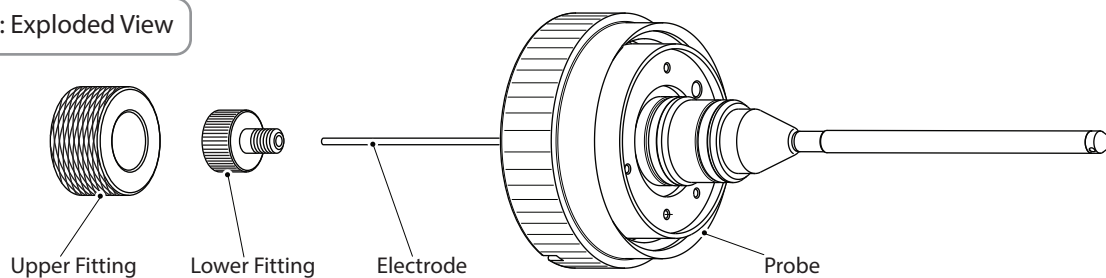


Before using this *Quick Start Guide*, refer to the *OptiFlow<sup>®</sup> Pro Ion Source Operator Guide* for safety information.

### Compatibility Chart

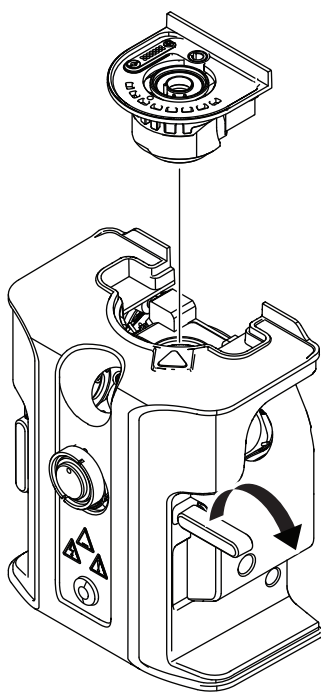
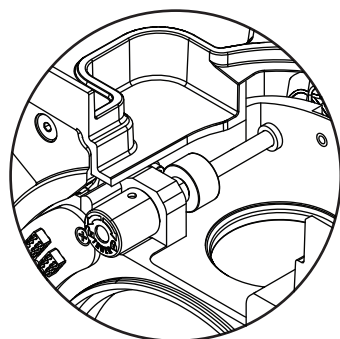
Front Port	Top Port	Electrode
Plug	MICRO probe 1-50 uL	1-10 uL
		10-50 uL
	MICRO probe 50-200 uL ANALYTICAL probe > 200 uL	50-200 uL
		ANALYTICAL
MICRO probe 50-200 uL	MICRO probe 1-50 uL	1-10 uL
		10-50 uL
E Lens™ MICRO 1 - 200 uL	MICRO probe 50-200 uL	50-200 uL
E Lens™ ANALYTICAL > 200 uL	ANALYTICAL probe > 200 uL	ANALYTICAL

### Ion Source Probe: Exploded View



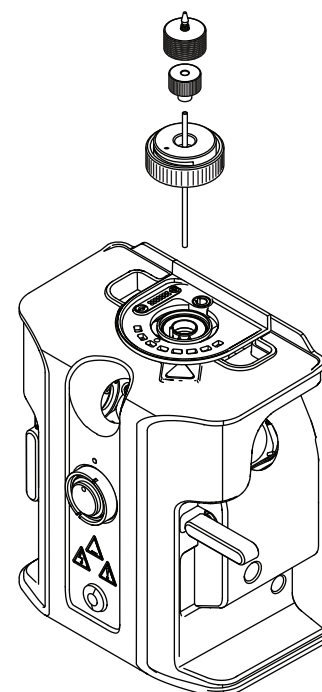
### Install the ESI Module Steps:

1. Lower the module into the ion source housing. Make sure the module is seated firmly with no movement.
2. Turn the locking dial clockwise until it stops turning.



### Install the Probe, Electrode, and Fittings Steps:

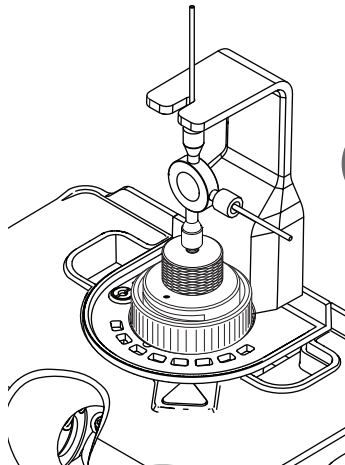
1. Insert the probe into the ESI module. Make sure the dot on the probe is aligned with the dot on the ESI module.
2. Insert the electrode into the probe.
3. Insert the lower fitting over the electrode, and then tighten it by turning it clockwise, until finger tight.
4. Install the upper fitting and captive ferrule over the lower fitting.



### Option 1: Install an Infusion Line and PEEK Tee

#### Steps:

1. Install a PEEK Tee or a single infusion line on the upper fitting. Hold the PEEK Tee or the infusion line, and then turn the upper-fitting counter-clockwise until finger tight.
- 2a. If installing a single infusion line, connect the line to the LC system.
- 2b. If installing a PEEK Tee, install both infusion lines, and then connect the lines to the LC system.
3. Install the high-voltage actuator.

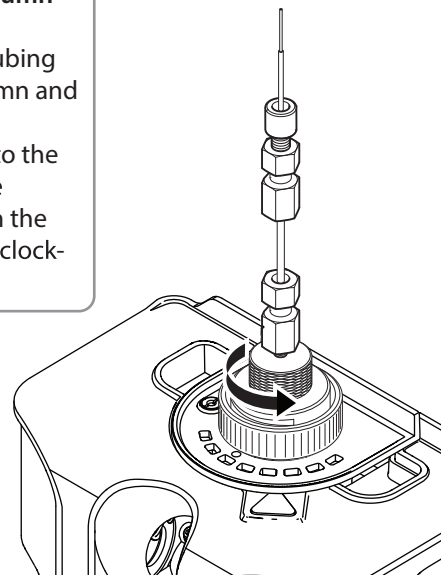


3

### Option 2: Install a Column Steps:

1. Install the sample tubing between the the column and the LC system.
2. Attach the column to the upper fitting. Hold the column, and then turn the upper-fitting counter-clockwise until finger tight.

or

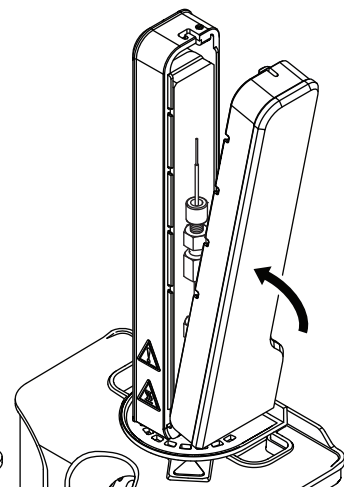
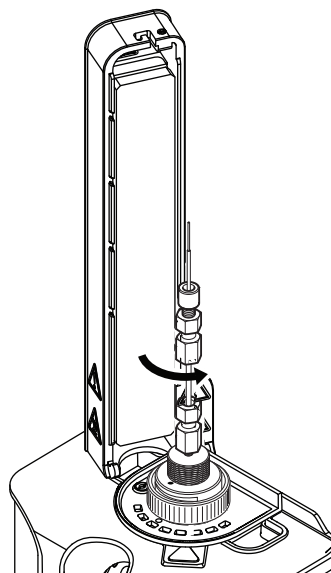
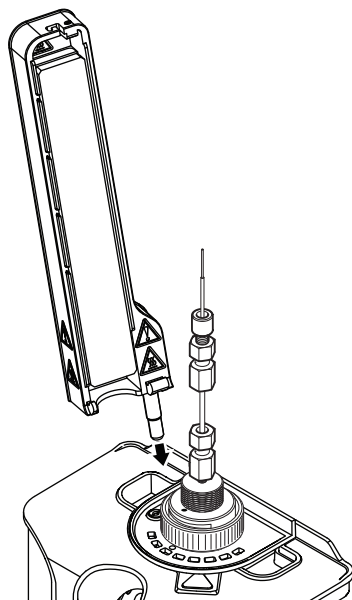


4

### Install the Column Heater

#### Steps:

1. Insert the mounting post of the column heater into the position hole on the ion source housing.
2. Rotate the left side of the column heater towards the column.
3. Route the sample tubing through one of the exit slots in the column heater.
4. Position the right side of the column heater on the hinge at the base of the left side of the column heater. Close both sides of the heater until they lock together.

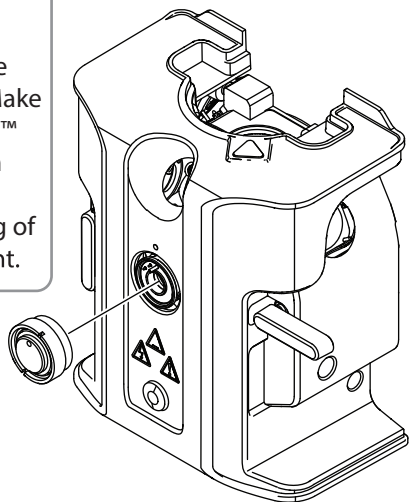
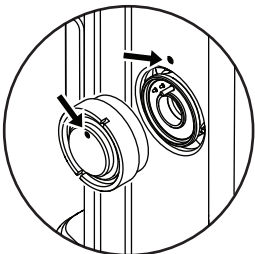


5

### Install the E Lens™ or the Front Port Plug

#### Steps:

1. Insert the E Lens™ or the plug into the front port. Make sure the dot on the E Lens™ or the plug is aligned with the dot on the front port.
2. Tighten the knurled ring of the probe, until finger tight.

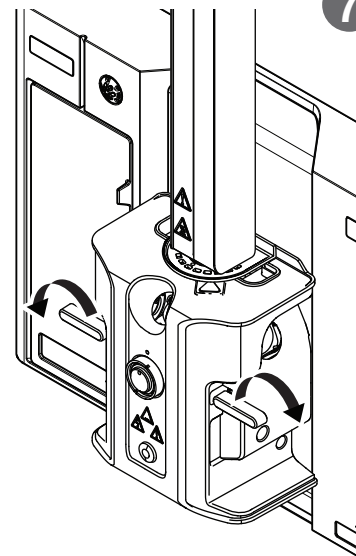


6

### Install the Ion Source on the Mass Spectrometer

#### Steps:

1. Make sure that the ion source latches are in the 9 o'clock and 3 o'clock positions.
2. Align the ion source with the vacuum interface, making sure that the guide pins on the ion source are aligned with the sockets in the vacuum interface.
3. Push the ion source gently against the vacuum interface, and then rotate the ion source latches down to lock the ion source in place.



7