

Parts and Equipment Guide

for Ion Sources and Mass Spectrometers



This document is provided to customers who have purchased SCIEX equipment to use in the operation of such SCIEX equipment. This document is copyright protected and any reproduction of this document or any part of this document is strictly prohibited, except as SCIEX may authorize in writing.

Software that may be described in this document is furnished under a license agreement. It is against the law to copy, modify, or distribute the software on any medium, except as specifically allowed in the license agreement. Furthermore, the license agreement may prohibit the software from being disassembled, reverse engineered, or decompiled for any purpose. Warranties are as stated therein.

Portions of this document may make reference to other manufacturers and/or their products, which may contain parts whose names are registered as trademarks and/or function as trademarks of their respective owners. Any such use is intended only to designate those manufacturers' products as supplied by SCIEX for incorporation into its equipment and does not imply any right and/or license to use or permit others to use such manufacturers' and/or their product names as trademarks.

SCIEX warranties are limited to those express warranties provided at the time of sale or license of its products and are the sole and exclusive representations, warranties, and obligations of SCIEX. SCIEX makes no other warranty of any kind whatsoever, expressed or implied, including without limitation, warranties of merchantability or fitness for a particular purpose, whether arising from a statute or otherwise in law or from a course of dealing or usage of trade, all of which are expressly disclaimed, and assumes no responsibility or contingent liability, including indirect or consequential damages, for any use by the purchaser or for any adverse circumstances arising therefrom.

(GEN-IDV-09-10816-D)

For Research Use Only. Not for use in Diagnostic Procedures.

Trademarks and/or registered trademarks mentioned herein, including associated logos, are the property of AB Sciex Pte. Ltd., or their respective owners, in the United States and/or certain other countries (see sciex.com/trademarks).

AB Sciex™ is being used under license.

Echo® and Echo® MS are trademarks or registered trademarks of Labcyte, Inc. in the United States and other countries, and are being used under license.

© 2022 DH Tech. Dev. Pte. Ltd.



AB Sciex Pte. Ltd.
Blk33, #04-06 Marsiling Industrial Estate Road 3
Woodlands Central Industrial Estate, Singapore 739256

Contents

1 Introduction	4
2 Spare Parts	5
Mass Spectrometer.....	5
Mass Spectrometer Power Cables.....	5
Roughing Pump.....	7
Turbo V, IonDrive Turbo V, and DuoSpray Ion Sources.....	7
OptiFlow Turbo V Ion Source.....	9
OptiFlow Pro Ion Source.....	10
NanoSpray Ion Source.....	11
3 Consumables	12
Mass Spectrometer.....	12
Roughing Pump.....	14
Turbo V and IonDrive Turbo V Ion Sources.....	14
OptiFlow Turbo V Ion Source.....	17
OptiFlow Pro Ion Source.....	18
DuoSpray Ion Source.....	19
NanoSpray Ion Source.....	20
Calibrant Delivery System (TripleTOF Systems).....	22
Calibration Solutions (TOF Systems).....	23

Introduction

1

Note: Only parts and equipment listed in this guide are serviceable by the customer. Contact TAC for information about other parts.

Note: Only parts and equipment listed in this guide are serviceable by the customer. Contact a Field Service Employee (FSE) for information about other parts.

This guide applies to non-MD systems, including:

- SCIEX 3200 systems
- SCIEX Triple Quad 3500 systems
- SCIEX 4000 systems
- SCIEX 4500 systems
- SCIEX 5500 systems
- SCIEX 5500+ systems
- SCIEX 6500 and 6500+ systems
- SCIEX 7500 systems
- TripleTOF 4600 systems
- TripleTOF 5600 and 5600+ systems
- TripleTOF 6600 and 6600+ systems
- X500 QTOF systems
- ZenoTOF 7600 systems

Ion sources detailed in the guide include:

- Turbo V ion source
- IonDrive Turbo V ion source
- OptiFlow Turbo V ion source
- OptiFlow Pro ion source
- DuoSpray ion source
- NanoSpray ion source



WARNING! Personal Injury Hazard. Use SCIEX-recommended parts only. Use of parts not recommended by SCIEX or use of parts for any purpose other than their intended purpose can put the user at risk of harm or negatively impact system performance.

Mass Spectrometer

Table 2-1 Mass Spectrometer Spares

Part Number	Description	Remark
1040121	Orifice plate interface heater kit.	Refer to the document: <i>Qualified Maintenance Person Guide</i> .
5065277	Synchronization cable for CTC PAL systems	For X500 QTOF and ZenoTOF 7600 systems. Refer to the document: <i>Devices Setup Guide</i> .
5065278	Synchronization cable for ExionLC AC/AD, Shimadzu, Waters, Eksigent NanoLC 400, and Gilson systems	For X500 QTOF and ZenoTOF 7600 systems. Refer to the document: <i>Devices Setup Guide</i> .
5068024	Synchronization cable for Agilent systems	For X500 QTOF and ZenoTOF 7600 systems. Refer to the document: <i>Devices Setup Guide</i> .

Mass Spectrometer Power Cables

Table 2-2 Mass Spectrometer Mains Supply Cable Spares: ZenoTOF 7600 System

Part Number	Description	Remark
5076549	North America	Refer to the document: <i>Site Planning Guide</i> .
5082007	United Kingdom	Refer to the document: <i>Site Planning Guide</i> .
5079458	Switzerland	Refer to the document: <i>Site Planning Guide</i> .
5079457	Italy	Refer to the document: <i>Site Planning Guide</i> .

Spare Parts

**Table 2-2 Mass Spectrometer Mains Supply Cable Spares: ZenoTOF 7600 System
(continued)**

Part Number	Description	Remark
5079459	Central Europe	Refer to the document: <i>Site Planning Guide</i> .
5079459	South Korea	Refer to the document: <i>Site Planning Guide</i> .
5079455	Australia	Refer to the document: <i>Site Planning Guide</i> .
5084519	Japan	Refer to the document: <i>Site Planning Guide</i> .
5078946	China	Refer to the document: <i>Site Planning Guide</i> .
5079454	India	Refer to the document: <i>Site Planning Guide</i> .

Table 2-3 Mass Spectrometer Mains Supply Cable Spares: All Other Systems

Part Number	Description	Remark
5009152	North America	Refer to the document: <i>Site Planning Guide</i> .
5027349	United Kingdom	Refer to the document: <i>Site Planning Guide</i> .
5027461	Switzerland	Refer to the document: <i>Site Planning Guide</i> .
5027503	Italy	Refer to the document: <i>Site Planning Guide</i> .
5027841	Central Europe	Refer to the document: <i>Site Planning Guide</i> .
5028400	South Korea	Refer to the document: <i>Site Planning Guide</i> .
5028431	Australia	Refer to the document: <i>Site Planning Guide</i> .
5009152	Japan	Refer to the document: <i>Site Planning Guide</i> .

Table 2-3 Mass Spectrometer Mains Supply Cable Spares: All Other Systems (continued)

Part Number	Description	Remark
5029431	China	Refer to the document: <i>Site Planning Guide</i> .
5044093	India	Refer to the document: <i>Site Planning Guide</i> .

Roughing Pump

Table 2-4 Roughing Pump Spares

Part Number	Description	Remark
028685	Roughing pump oil return line for the HS602 roughing pump.	For SCIEX 3200, 4000, and 5000 systems. Refer to the document: <i>Qualified Maintenance Person Guide</i> .
1034438	Exhaust filter cartridge for the MS 40 roughing pump.	For SCIEX 6500, 6500+, and 7500 systems. Note: The SCIEX 7500 system is configured with dual MS 40 and MS 120 roughing pumps.
5081834	Exhaust filter cartridge for the MS 120 roughing pump.	For the SCIEX 7500 system.
5037860	Roughing pump oil change kit. The kit contains a roughing pump oil extraction system that simplifies and speeds up the oil change process.	Contact an FSE. Note: Not for use with the HS602 roughing pump.
9499342	Roughing pump oil exhaust filter for the HS602 roughing pump.	For SCIEX 3200, 4000, and 5000 systems. Refer to the document: <i>Qualified Maintenance Person Guide</i> .

Turbo V, IonDrive Turbo V, and DuoSpray Ion Sources

For maintenance procedures, refer to the documentation that comes with the ion source.

Spare Parts

Table 2-5 Turbo V, IonDrive Turbo V, and DuoSpray Ion Source Spares

Part Number	Description	Remark
1005100	TurbolonSpray probe assembly for the DuoSpray ion source.	Refer to the document: <i>DuoSpray Ion Source Operator Guide</i> .
5041898	Twin ESI probe assembly.	For X500 QTOF and ZenoTOF 7600 systems. Refer to the document: <i>Turbo V Ion Source Operator Guide</i> .
5041899	Twin APCI probe assembly.	For X500 QTOF and ZenoTOF 7600 systems. Refer to the document: <i>Turbo V Ion Source Operator Guide</i> .
5060807	APCI probe assembly. Refer to Figure 2-2 .	For SCIEX Triple Quad, QTRAP, and TripleTOF systems. Refer to the document: <i>Operator Guide</i> for the ion source or the <i>SCIEX 3200 Systems System User Guide</i> .
5060806	TurbolonSpray probe assembly. Refer to Figure 2-1 .	For SCIEX Triple Quad, QTRAP, and TripleTOF systems. Refer to the document: <i>Operator Guide</i> for the ion source or the <i>SCIEX 3200 Systems System User Guide</i> .

Figure 2-1 TurbolonSpray Probe Assembly (PN 5060806)

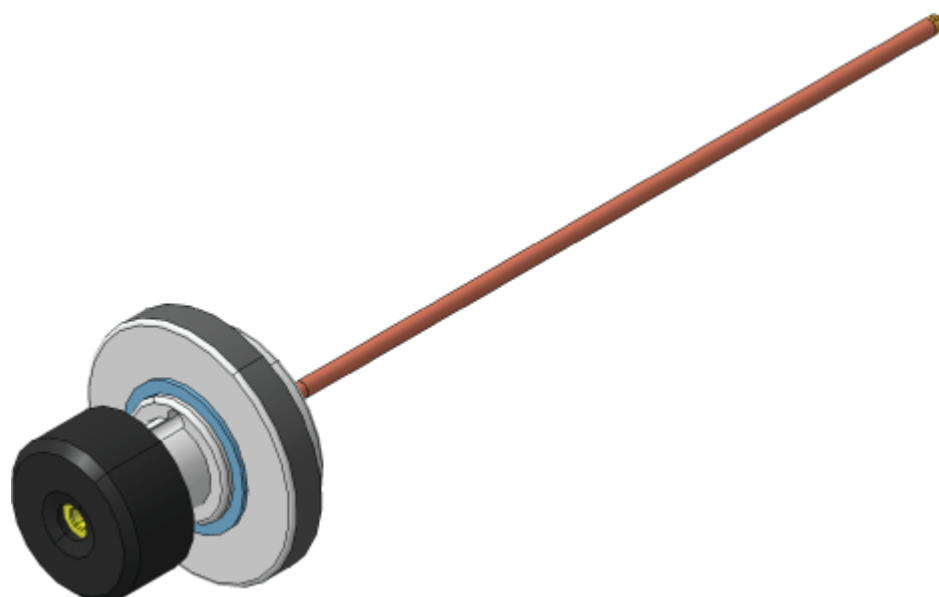
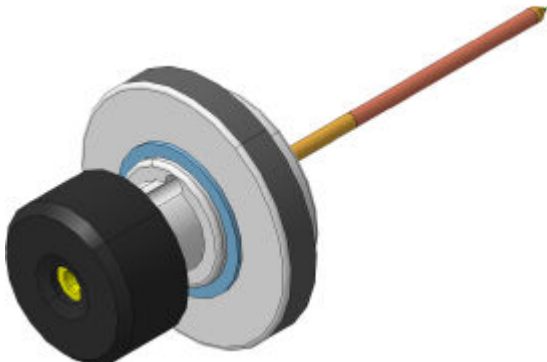


Figure 2-2 APCI Probe Assembly (PN 5060807)



OptiFlow Turbo V Ion Source

For maintenance procedures, refer to the documentation that comes with the ion source.

Table 2-6 OptiFlow Turbo V Ion Source Spares

Part Number	Description	Remark
5066024	Micro 50-200 μ L probe. Flow rates between 50 μ L and 200 μ L.	Refer to the document: <i>OptiFlow Turbo V Ion Source Operator Guide</i> . Note: 5066024 has replaced the 5063236 SteadySpray ANALYTICAL probe.
5066026	Micro 1-50 μ L probe. Flow rates between 1 μ L and 50 μ L.	Refer to the document: <i>OptiFlow Turbo V Ion Source Operator Guide</i> . Note: 5066026 has replaced the 5063235 SteadySpray MICRO probe
5071350	Analytical > 200 μ L probe. Flow rates greater than 200 μ L.	Refer to the document: <i>OptiFlow Turbo V Ion Source Operator Guide</i> .
5067457	Nano < 1 μ L probe. Flow rates between 100 nL and 1000 nL.	Refer to the document: <i>OptiFlow Turbo V Ion Source Operator Guide</i> . Note: 5067457 SteadySpray NANO probe has been renamed Nano <1 μ L probe.
5083897	ESI Calibration probe. Flow rates between 1 μ L/min and 2000 μ L/min.	Refer to the document: <i>OptiFlow Turbo V Ion Source Operator Guide</i> for the ZenoTOF 7600 System.

Spare Parts

Table 2-6 OptiFlow Turbo V Ion Source Spares (continued)

Part Number	Description	Remark
5060962	Probe port plug	Refer to the document: <i>OptiFlow Turbo V Ion Source Operator Guide</i> .

Figure 2-3 Micro, Analytical, or Nano Probe



OptiFlow Pro Ion Source

For maintenance procedures, refer to the documentation that comes with the ion source.

Table 2-7 OptiFlow Pro Ion Source Spares

Part Number	Description	Remark
5066024	Micro 50-200 μL probe. Flow rates between 50 μL and 200 μL .	Refer to the document: <i>OptiFlow Pro Ion Source Operator Guide</i> .
5066026	Micro 1-50 μL probe. Flow rates between 1 μL and 50 μL .	Refer to the document: <i>OptiFlow Pro Ion Source Operator Guide</i> .
5071350	Analytical probe. Flow rates greater than 200 μL .	Refer to the document: <i>OptiFlow Pro Ion Source Operator Guide</i> .
5074815	E Lens probe (Micro) 1-200 μL	Refer to the document: <i>OptiFlow Pro Ion Source Operator Guide</i> .
5060962	Probe port plug	Refer to the document: <i>OptiFlow Pro Ion Source Operator Guide</i> .

Figure 2-4 Micro or Analytical Probe



NanoSpray Ion Source

For maintenance procedures, refer to the documentation that comes with the ion source.

Table 2-8 Mains Supply Cables by Country

Part Number	Country	Remark
5028431	Australia	N/A
5029431	China	N/A
5027841	Europe	N/A
5027961	Italy	N/A
5029429	Japan	N/A
400-00023	North America	N/A
5028400	South Korea	N/A
5027461	Switzerland	N/A
5027349	United Kingdom	N/A

Mass Spectrometer

For maintenance procedures, refer to the documentation that comes with the mass spectrometer.

Table 3-1 Mass Spectrometer Consumables

Part Number	Description	Remark
017819	O-ring for the vacuum interface	Refer to the document: <i>System User Guide</i> .
018027	Lint-free wipe	Refer to the document: <i>Qualified Maintenance Person Guide</i> .
1007740	Card cage air filter	For SCIEX 3200 systems. Refer to the document: <i>Qualified Maintenance Person Guide</i> .
1017396	Small poly swab, package of 12	Refer to the document: <i>Qualified Maintenance Person Guide</i> .
1027708	Mass spectrometer air filter kit including four air filters	For SCIEX 3500, 4500, 5500, 5500+, 6500, 6500+, and 7500 systems. Refer to the document: <i>Qualified Maintenance Person Guide</i> .
1028234	Q0 cleaning tool	Refer to the document: <i>Qualified Maintenance Person Guide</i> .
1032854	Cooling fan filter	For TripleTOF systems. Refer to the document: <i>Qualified Maintenance Person Guide</i> .
4376887	Triazine standard solution	Refer to the document: <i>Customer Familiarization Checklist</i> .
4406127	PPG MS chemical kit	Refer to the document: <i>Ion Source Tests, Specifications, and Data Log</i> .

Table 3-1 Mass Spectrometer Consumables (continued)

Part Number	Description	Remark
5020761	Cleaning kit, SCIEX 3200, 4000, 3500, 4500, 5000, and 5500 systems	Refer to the document: <i>Qualified Maintenance Person Guide</i> . Contains the small poly swab, lint-free wipe, Q0 cleaning tool, straight cleaning brush for the QJet ion guide, and Alconox packets.
5020763	Cleaning kit, TripleTOF systems	Refer to the document: <i>Qualified Maintenance Person Guide</i> . Contains the small poly swab, lint-free wipe, Q0 cleaning tool, tapered cleaning brush for the QJet ion guide, and Alconox packets.
5020893	Alconox packets	Refer to the document: <i>Qualified Maintenance Person Guide</i> .
5020894	Straight custom brush for the QJet ion guide for SCIEX 3500, 4500, and 5500 systems	Refer to the document: <i>Qualified Maintenance Person Guide</i> .
5020895	Straight custom brush for the IonDrive QJet ion guide for SCIEX 5500+, 6500, and 6500+ systems	Refer to the document: <i>Qualified Maintenance Person Guide</i> .
5021294	Cleaning kit, SCIEX 5500+, 6500, 6500+, and 7500 systems	Refer to the document: <i>Qualified Maintenance Person Guide</i> . Contains the small poly swab, lint-free wipe, Q0 cleaning tool, straight cleaning brush for the IonDrive QJet ion guide, and Alconox packets.
5077206	MS Single Tuning Solution Kit. Contains MS Single Tuning Solution (5077207) and MS Wash Solvent (5077210)	Refer to the document: <i>System User Guide</i> .
5075399	CDS filters 10 µm	Refer to the document: <i>ZenoTOF 7600 System User Guide</i> .

Roughing Pump

For maintenance procedures, refer to the documentation that comes with the mass spectrometer.

Table 3-2 Roughing Pump Consumables

Part Number	Description	Remark
010998	Roughing pump oil for the HS602 roughing pump, 1 L	For SCIEX 3200, 4000, and 5000 systems with the HS602 roughing pump. Refer to the document: <i>Qualified Maintenance Person Guide</i> .
5043115	Roughing pump oil for SV roughing pumps, 1 L	For SCIEX 3500, 4500, 5500, 5500+, and TripleTOF systems. Refer to the document: <i>Qualified Maintenance Person Guide</i> . Note: Two bottles of oil might be required.
5064867	Roughing pump oil for MS 40 and MS 120 roughing pumps. The MS 40 requires 1 L of oil. The MS 120 requires 1.8 L of oil.	For SCIEX 6500, 6500+, and 7500 systems. Refer to the document: <i>Qualified Maintenance Person Guide</i> . Note: The SCIEX 7500 system is configured with dual MS 40 and MS 120 roughing pumps.

Turbo V and IonDrive Turbo V Ion Sources

For maintenance procedures, refer to the documentation that comes with the ion source.

Table 3-3 Turbo V Ion Source and IonDrive Turbo V Ion Source Consumables

Part Number	Description	Remark
5051034	Corona discharge needle.	Refer to the document: <i>Operator Guide</i> for the ion source or the <i>SCIEX 3200 Systems System User Guide</i> .
5051082	Metal-encased turbo heater for the Turbo V ion source.	Refer to the document: <i>Qualified Maintenance Person Guide</i> .

Table 3-3 Turbo V Ion Source and IonDrive Turbo V Ion Source Consumables (continued)

Part Number	Description	Remark
5052616	Electrode for the TurbolonSpray probe.	For SCIEX Triple Quad, QTRAP, and TripleTOF systems. Refer to the document: <i>Operator Guide</i> for the ion source or the <i>SCIEX 3200 Systems System User Guide</i> .
5053788	Electrode for the APCI probe.	For SCIEX Triple Quad, QTRAP, and TripleTOF systems. Refer to the document: <i>Operator Guide</i> for the ion source or the <i>SCIEX 3200 Systems System User Guide</i> .
5054421	Ceramic-encased turbo heater for the Turbo V ion source.	Refer to the document: <i>Qualified Maintenance Person Guide</i> .
5054661	Turbo heater for the IonDrive Turbo V ion source without covers.	Refer to the document: <i>Qualified Maintenance Person Guide</i> .
5049795	Electrode for the twin ESI probe.	For X500 QTOF and ZenoTOF 7600 systems. Refer to the document: <i>Turbo V Ion Source Operator Guide</i> .
5054901	Electrode for the twin APCI probe.	For X500 QTOF and ZenoTOF 7600 systems. Refer to the document: <i>Turbo V Ion Source Operator Guide</i> .
5058778	Turbo heater for the Turbo V ion source with covers.	Refer to the document: <i>Qualified Maintenance Person Guide</i> .
016316	Red PEEK tubing (0.005-inch bore), 100 cm.	Sample tubing, 100 cm.
016325	Brown PEEK fitting, pack of 5.	Sample tubing nut.
016485	Tan PEEK tubing (0.0025-inch bore).	Specify order quantity in cm.
019675	Tee insert (0.25 mm bore).	Grounding union connection.

Figure 3-1 Red PEEK Tubing: SCIEX Triple Quad, QTRAP, and TripleTOF Systems

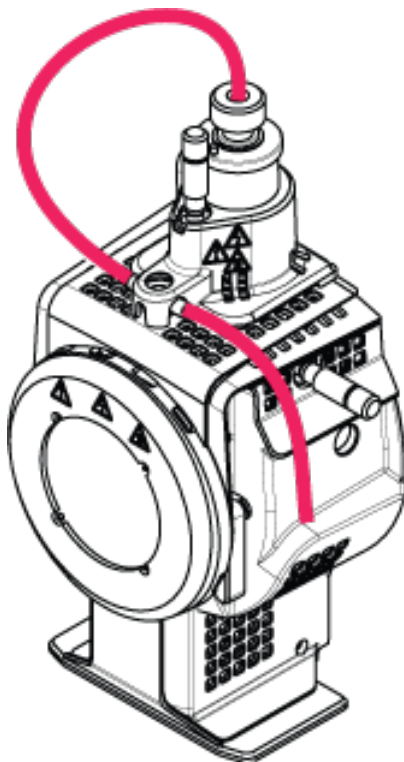
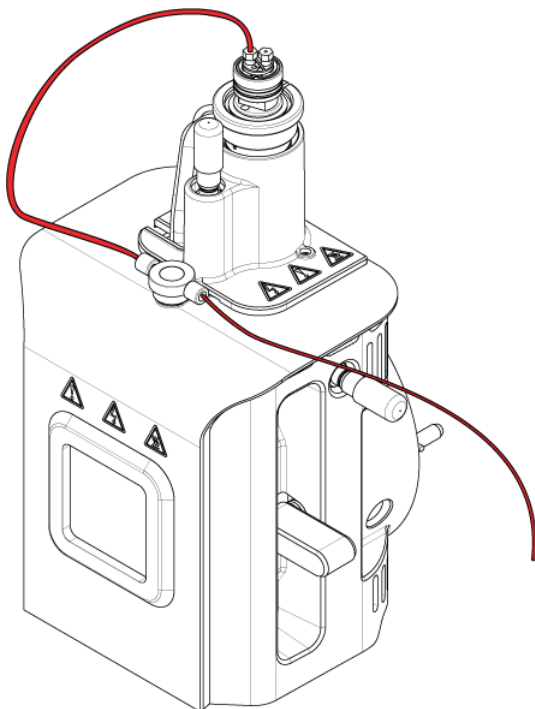


Figure 3-2 Red PEEK Tubing: X500 QTOF and ZenoTOF 7600 Systems



OptiFlow Turbo V Ion Source

For maintenance procedures, refer to the documentation that comes with the ion source.

Table 3-4 OptiFlow Turbo V Ion Source Consumables

Part Number	Description	Remark
5061574	ELECTRODE 1-10 μ L. Flow rates between 1 μ L and 10 μ L. Pack of 5.	Refer to the document: <i>OptiFlow Turbo V Ion Source Operator Guide</i> . Note: 5061574 SteadySpray LOW MICRO electrode has been renamed ELECTRODE 1-10 μ L.
5061575	ELECTRODE 10-50 μ L. Flow rates between 10 μ L and 50 μ L. Pack of 5.	Refer to the document: <i>OptiFlow Turbo V Ion Source Operator Guide</i> . Note: 5061575 SteadySpray MICRO electrode has been renamed ELECTRODE 10-50 μ L.

Consumables

Table 3-4 OptiFlow Turbo V Ion Source Consumables (continued)

Part Number	Description	Remark
5061576	ELECTRODE 50-200 μ L. Flow rates between 50 μ L and 200 μ L. Pack of 2.	Refer to the document: <i>OptiFlow Turbo V Ion Source Operator Guide</i> . Note: 5061576 SteadySpray HIGH MICRO electrode has been renamed ELECTRODE 50-200 μ L.
5061577	Micro electrodes starter pack. Mixed pack of 5 electrodes.	Refer to the document: <i>OptiFlow Turbo V Ion Source Operator Guide</i> .
5070382	Nano electrodes starter pack. Flow rates between 100nL and 1000 nL. Pack of 5.	Refer to the document: <i>OptiFlow Turbo V Ion Source Operator Guide</i> .
5079351	ESI CALIBRATION ELECTRODE. Flow rates between 1 μ L and 200 μ L.	Refer to the document: <i>OptiFlow Turbo V Ion Source Operator Guide</i> .
5060978	Stainless steel upper fitting used for the column connection.	Refer to the document: <i>OptiFlow Turbo V Ion Source Operator Guide</i> .
5061373	PEEK upper fitting used for the Micro column connection.	Refer to the document: <i>OptiFlow Turbo V Ion Source Operator Guide</i> .
5053325	PEEK ferrule for 1/16 inch o.d. tubing.	N/A
5055764	Lower probe O-ring, 10 mm i.d. \times 1.5 mm.	N/A
5045265	Upper probe O-ring, 4 mm i.d. \times 1.0 mm.	N/A
5060726	Installation kit (Micro).	This kit contains spare parts if required for a new installation.
5069262	Nano upgrade kit.	This kit contains Nano parts required to operate the system with the Nano probe and column heater.

OptiFlow Pro Ion Source

For maintenance procedures, refer to the documentation that comes with the ion source.

Table 3-5 OptiFlow Pro Ion Source Consumables

Part Number	Description	Remark
5061574	ELECTRODE 1-10 μ L. Flow rates between 1 μ L and 10 μ L. Pack of 5.	Refer to the document: <i>OptiFlow Pro Ion Source Operator Guide</i> .
5061575	ELECTRODE 10-50 μ L. Flow rates between 10 μ L and 50 μ L. Pack of 5.	Refer to the document: <i>OptiFlow Pro Ion Source Operator Guide</i> .
5061576	ELECTRODE 50-200 μ L. Flow rates between 50 μ L and 200 μ L. Pack of 2.	Refer to the document: <i>OptiFlow Pro Ion Source Operator Guide</i> .
5061577	Micro electrodes starter pack. Mixed pack of 5 electrodes.	Refer to the document: <i>OptiFlow Pro Ion Source Operator Guide</i> .
5071438	ELECTRODE Analytical.	Refer to the document: <i>OptiFlow Pro Ion Source Operator Guide</i> .
5060978	Stainless steel upper fitting used for the column connection.	Refer to the document: <i>OptiFlow Pro Ion Source Operator Guide</i> .
5061373	PEEK upper fitting used for the Micro column connection.	Refer to the document: <i>OptiFlow Pro Ion Source Operator Guide</i> .
5053325	PEEK ferrule for 1/16 inch o.d. tubing.	N/A
5055764	Lower probe O-ring, 10 mm i.d. \times 1.5 mm.	N/A
5045265	Upper probe O-ring, 4 mm i.d. \times 1.0 mm.	N/A
5060726	Installation kit (Micro).	This kit contains spare parts if required for a new installation.

DuoSpray Ion Source

For maintenance procedures, refer to the documentation that comes with the ion source.

Table 3-6 DuoSpray Ion Source Consumables

Part Number	Description	Remark
026626	Spring for probe	N/A
027013	Spring for corona discharge needle	N/A
027497	Gold-plated spring for HV connection	N/A

Consumables

Table 3-6 DuoSpray Ion Source Consumables (continued)

Part Number	Description	Remark
1006174	Corona discharge needle rod	Refer to the document: <i>DuoSpray Ion Source Operator Guide</i> .
1006177	Corona discharge needle tip	Refer to the document: <i>DuoSpray Ion Source Operator Guide</i> .
5052616	Electrode for the TurbolonSpray probe	Refer to the document: <i>DuoSpray Ion Source Operator Guide</i> .
5053788	Electrode for the APCI probe	Refer to the document: <i>DuoSpray Ion Source Operator Guide</i> .
016316	Red PEEK tubing (0.005-inch bore), 100 cm	For TripleTOF systems. Sample tubing. Refer to the document: <i>DuoSpray Ion Source Operator Guide</i> .
016325	Brown PEEK fitting, pack of 5	Sample tubing nuts
1005601	PEEK tubing kit to connect to TurbolonSpray Probe, 30 cm	For SCIEX Triple Quad and QTRAP systems. Refer to the document: <i>DuoSpray Ion Source Operator Guide</i> .
1005602	PEEK tubing kit to connect to APCI probe, 45 cm	For SCIEX Triple Quad and QTRAP systems. Refer to the document: <i>DuoSpray Ion Source Operator Guide</i> .
5041723	PEEK GraphTite fitting, Black, 1/16 inch, pack of 2	N/A
5045984	PEEK union in probe	N/A

NanoSpray Ion Source

For maintenance procedures, refer to the documentation that comes with the ion source.

Table 3-7 NanoSpray Ion Source Consumables

Part Number	Description	Remark
200-00096	Fused silica cutter	Refer to the document: <i>NanoSpray Ion Source Operator Guide</i> .
200-00213	Fitting and ferrule used at the nebulizer gas port	Refer to the document: <i>NanoSpray Ion Source Operator Guide</i> .

Table 3-7 NanoSpray Ion Source Consumables (continued)

Part Number	Description	Remark
200-00303	Stainless steel union, 1/16 inches on one end, 1/32 inches on the other	Refer to the document: <i>NanoSpray Ion Source Operator Guide</i> .
200-00408	PEEK fitting for 360 μM o.d. tubing	Refer to the document: <i>NanoSpray Ion Source Operator Guide</i> .
910-00112	Adapter kit for the NanoSpray III ion source	Includes the fittings, sleeves, adapter block and union and emitters. Refer to the document: <i>NanoSpray Ion Source Operator Guide</i> .
1003988	Syringe for the infusion test	Refer to the document: <i>NanoSpray Ion Source Operator Guide</i> .
1006547	395 μm (0.0155 inch) i.d., 1/16 inch o.d. green FEP sleeve, 1.6 inch length, for use with the sprayer fitting.	Refer to the document: <i>NanoSpray Ion Source Operator Guide</i> .
1034697	Optional Tee union with the makeup flow	Refer to the document: <i>NanoSpray Ion Source Operator Guide</i> .
1035752	Precut (7 cm) uncoated emitter tips with 20 μm i.d., 10 μm at the tip	Refer to the document: <i>NanoSpray Ion Source Operator Guide</i> .
1035770	O-ring at the front of the rail, for the nebulizer gas connection	Refer to the document: <i>NanoSpray Ion Source Operator Guide</i> .
5015860	Finger-tight PEEK hex nut for the sprayer side of the straight union	Refer to the document: <i>NanoSpray Ion Source Operator Guide</i> .
5015886	Syringe union for use with fused silica tubing	Refer to the document: <i>NanoSpray Ion Source Operator Guide</i> .
5015900	Syringe union for use with red PEEK-line fused silica tubing	Refer to the document: <i>NanoSpray Ion Source Operator Guide</i> .
5015902	Straight union	Can also be ordered with the union holder, fittings, and thumbscrew. Refer to PN 5016361.
5016361	Straight union and holder	The complete union assembly, including the holder, union, fittings, and union thumbscrew. Refer to the document: <i>NanoSpray Ion Source Operator Guide</i> .

Consumables

Table 3-7 NanoSpray Ion Source Consumables (continued)

Part Number	Description	Remark
5017932	PEEK fitting to connect the sample line (fused silica or PEEK-lined fused silica) to the union on the rail.	Refer to the document: <i>NanoSpray Ion Source Operator Guide</i> .
5052735	Consumables kit	Refer to the document: <i>NanoSpray Ion Source Operator Guide</i> .

Calibrant Delivery System (TripleTOF Systems)

Table 3-8 Calibrant Delivery System (CDS) Consumables

Part Number	Description	Quantity	Upchurch Part Number
5008141	NUT, PEEK, SHORT, 1/4-28	1	LT-115
5008152	FERRULE, PEEK, SUPER FLANGELESS	2	P-260
5008157	FITTING, PEEK, NAT, LONG,	1	F130
5008232	PLUG, ACETAL, BLACK	1	U-467BLK
5008296	TUBING, PEEK, BLUE, 1/16x.010x40CM	1	PM-1960B
5002985	TUBING, PEEK, RED, 1/16x.125x40CM	1	PM-1945R
5008298	TUBING, PEEK, GREEN, 1/16x.030x16CM	1	PM1820G
N/A	TUBING, FEP, NAT, 1/16x.030x60CM	5	PM1000
N/A	TUBING, FEP, NAT, 1/16x.030x17CM	1	PM1000
5008302	TUBING, FEP, GREEN, 1/16x.030x60CM	2	PM1000G
5008303	FILTER ASSY, PEEK, BOB, 1/16,10um,GL-38	2	A-453
N/A	CAP ASSY, BOTTLE, 1/16,GL-38	5	N/A
N/A	FITTINGS, KNOB, BLACK	11	N/A
N/A	FERRULE, PEEK	11	N/A

Table 3-8 Calibrant Delivery System (CDS) Consumables (continued)

Part Number	Description	Quantity	Upchurch Part Number
N/A	NUT, RHEFLEX	11	N/A

Calibration Solutions (TOF Systems)

Table 3-9 Calibration Solutions: ZenoTOF 7600 Systems

Part Number	Description	Quantity
5049910	ESI Positive Calibration Solution X500 B	100 mL
5032735	ESI Positive Calibration Solution X500 B — 5 Pack	5 × 100 mL
5042913	ESI Negative Calibration Solution X500 B	100 mL
5042917	ESI Negative Calibration Solution X500 B — 5 Pack	5 × 100 mL
5042914	APCI Positive Calibration Solution X500 B	100 mL
5042918	APCI Positive Calibration Solution X500 B — 5 Pack	5 × 100 mL
5042915	APCI Negative Calibration Solution X500 B	100 mL
5042919	APCI Negative Calibration Solution X500 B — 5 Pack	5 × 100 mL
5033025	Calibration Solution for SCIEX X500 B System <ul style="list-style-type: none"> • ESI Positive Calibration Solution X500 B • ESI Negative Calibration Solution X500 B • APCI Positive Calibration Solution X500 B • APCI Negative Calibration Solution X500 B 	4 × 100 mL

Table 3-10 Calibration Solutions: X500 QTOF Systems (X500 B and X500 R)

Part Number	Description	Quantity
5049910	ESI Positive Calibration Solution X500 B	100 mL
5032735	ESI Positive Calibration Solution X500 B — 5 Pack	5 × 100 mL
5042913	ESI Negative Calibration Solution X500 B	100 mL
5042917	ESI Negative Calibration Solution X500 B — 5 Pack	5 × 100 mL
5042914	APCI Positive Calibration Solution X500 B	100 mL
5042918	APCI Positive Calibration Solution X500 B — 5 Pack	5 × 100 mL

Consumables

Table 3-10 Calibration Solutions: X500 QTOF Systems (X500 B and X500 R) (continued)

Part Number	Description	Quantity
5042915	APCI Negative Calibration Solution X500 B	100 mL
5042919	APCI Negative Calibration Solution X500 B — 5 Pack	5 × 100 mL
5033025	Calibration Solution for SCIEX X500 B System <ul style="list-style-type: none">• ESI Positive Calibration Solution X500 B• ESI Negative Calibration Solution X500 B• APCI Positive Calibration Solution X500 B• APCI Negative Calibration Solution X500 B	4 × 100 mL

Table 3-11 Calibration Solutions: TripleTOF 5600, 5600+, 6600, and 6600+ Systems

Part Number	Description	Quantity
4460131	APCI Positive Calibration Solution for the SCIEX TripleTOF system	100 mL
4460134	APCI Negative Calibration Solution for the SCIEX TripleTOF system	100 mL
4460136	APCI Positive Calibration Solution for the SCIEX TripleTOF system (5 — pack)	5 × 100 mL
4460138	APCI Negative Calibration Solution for the SCIEX TripleTOF system (5 — pack)	5 × 100 mL
4463272	ESI Positive Calibration Solution for the SCIEX TripleTOF system	100 mL
4463274	ESI Positive Calibration Solution for the SCIEX TripleTOF system (5 — pack)	5 × 100 mL
4463276	ESI Negative Calibration Solution for the SCIEX TripleTOF system (5 — pack)	5 × 100 mL
4463277	ESI Negative Calibration Solution for the SCIEX TripleTOF system	100 mL