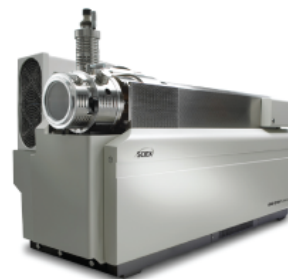
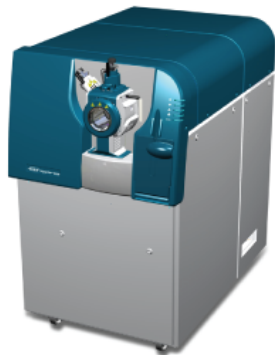


Parts and Equipment Guide

For Ion Sources and Mass Spectrometers



This document is provided to customers who have purchased SCIEX equipment to use in the operation of such SCIEX equipment. This document is copyright protected and any reproduction of this document or any part of this document is strictly prohibited, except as SCIEX may authorize in writing.

Software that may be described in this document is furnished under a license agreement. It is against the law to copy, modify, or distribute the software on any medium, except as specifically allowed in the license agreement. Furthermore, the license agreement may prohibit the software from being disassembled, reverse engineered, or decompiled for any purpose. Warranties are as stated therein.

Portions of this document may make reference to other manufacturers and/or their products, which may contain parts whose names are registered as trademarks and/or function as trademarks of their respective owners. Any such use is intended only to designate such products as those manufacturers' products and does not imply any right and/or license to use or permit others to use such manufacturers' and/or their product names as trademarks.

SCIEX warranties are limited to those express warranties provided at the time of sale or license of its products and are the sole and exclusive representations, warranties, and obligations of SCIEX. SCIEX makes no other warranty of any kind whatsoever, expressed or implied, including without limitation, warranties of merchantability or fitness for a particular purpose, whether arising from a statute or otherwise in law or from a course of dealing or usage of trade, all of which are expressly disclaimed, and assumes no responsibility or contingent liability, including indirect or consequential damages, for any use by the purchaser or for any adverse circumstances arising therefrom.

(GEN-IDV-09-10816-E)

For Research Use Only. Not for use in Diagnostic Procedures.

Trademarks and/or registered trademarks mentioned herein, including associated logos, are the property of AB Sciex Pte. Ltd., or their respective owners, in the United States and/or certain other countries (see sciex.com/trademarks).

AB Sciex™ is being used under license.

© 2024 DH Tech. Dev. Pte. Ltd.

Contents

1 Introduction	4
2 Spare Parts	5
Mass Spectrometer.....	5
Mass Spectrometer Power Cables.....	6
Roughing Pump.....	7
Turbo V, IonDrive Turbo V, and DuoSpray Ion Sources.....	8
OptiFlow Turbo V Ion Source.....	10
OptiFlow Pro Ion Source.....	11
NanoSpray Ion Source.....	12
3 Consumables	13
Mass Spectrometer.....	13
Roughing Pump.....	15
Turbo V and IonDrive Turbo V Ion Sources.....	16
OptiFlow Turbo V Ion Source.....	20
OptiFlow Pro Ion Source.....	21
DuoSpray Ion Source.....	23
NanoSpray Ion Source.....	24
CDS.....	26
Calibration Solutions (TOF Systems).....	27

Customers can order and replace only the parts and equipment in this guide. To order parts and equipment, go to [SCIEX Now](#).

Note: For information about parts not included in this document, go to [SCIEX Now](#).

This guide applies to the following non-MD systems:

- SCIEX 3200 systems
- SCIEX Triple Quad 3500 systems
- SCIEX 4000 systems
- SCIEX 4500 systems
- SCIEX 5500 and 5500+ systems
- SCIEX 6500 and 6500+ systems
- SCIEX 7500 and 7500+ systems
- TripleTOF 4600 systems
- TripleTOF 5600 and 5600+ systems
- TripleTOF 6600 and 6600+ systems
- X500 QTOF systems
- ZenoTOF 7600 and ZenoTOF 7600+ systems

The ion sources in this guide include:

- Turbo V ion source
- IonDrive Turbo V ion source
- OptiFlow Turbo V ion source
- OptiFlow Pro ion source
- DuoSpray ion source



WARNING! Personal Injury Hazard. Use only parts that are recommended by SCIEX. The use of parts that are not recommended by SCIEX or the use of parts for any purpose other than their intended purpose can put the user at risk of harm or have a negative effect on system performance.

Mass Spectrometer

Table 2-1 Mass Spectrometer Spares

Part Number	Description	Remark
1040121	Orifice plate interface heater kit.	For SCIEX 3500, 4500, 5500/5500+, 6500/6500+, TripleTOF, X500 QTOF, and ZenoTOF 7600/7600+ systems. Interface heater with the clip. Refer to the document: <i>Qualified Maintenance Person Guide</i> .
5312951	Orifice plate interface heater kit.	For SCIEX 7500+ systems. Interface heater with the compression spring. Refer to the document: <i>Qualified Maintenance Person Guide</i> .
5065277	Synchronization cable for CTC PAL systems.	For X500 QTOF and ZenoTOF 7600/7600+ systems. Refer to the document: <i>Devices Setup Guide</i> .
5065278	Synchronization cable for ExionLC AC/AD, Shimadzu, Waters, Eksigent NanoLC 400, and Gilson systems.	For X500 QTOF and ZenoTOF 7600/7600+ systems. Refer to the document: <i>Devices Setup Guide</i> .
5068024	Synchronization cable for Agilent systems.	For X500 QTOF and ZenoTOF 7600/7600+ systems. Refer to the document: <i>Devices Setup Guide</i> .

Spare Parts

Mass Spectrometer Power Cables

Table 2-2 Mass Spectrometer Mains Supply Cable Spares: SCIEX 7500+ and ZenoTOF 7600/7600+ Systems ZenoTOF 7600/7600+ Systems

Part Number	Description	Remark
5076549	North America	Refer to the document: <i>Site Planning Guide</i> .
5082007	United Kingdom	Refer to the document: <i>Site Planning Guide</i> .
5079458	Switzerland	Refer to the document: <i>Site Planning Guide</i> .
5079457	Italy	Refer to the document: <i>Site Planning Guide</i> .
5079459	Central Europe	Refer to the document: <i>Site Planning Guide</i> .
5079459	South Korea	Refer to the document: <i>Site Planning Guide</i> .
5079455	Australia	Refer to the document: <i>Site Planning Guide</i> .
5084519	Japan	Refer to the document: <i>Site Planning Guide</i> .
5078946	China	Refer to the document: <i>Site Planning Guide</i> .
5079454	India	Refer to the document: <i>Site Planning Guide</i> .

Table 2-3 Mass Spectrometer Mains Supply Cable Spares: All Other Systems

Part Number	Description	Remark
5009152	North America	Refer to the document: <i>Site Planning Guide</i> .
5027349	United Kingdom	Refer to the document: <i>Site Planning Guide</i> .
5027461	Switzerland	Refer to the document: <i>Site Planning Guide</i> .
5027503	Italy	Refer to the document: <i>Site Planning Guide</i> .

Table 2-3 Mass Spectrometer Mains Supply Cable Spares: All Other Systems (continued)

Part Number	Description	Remark
5027841	Central Europe	Refer to the document: <i>Site Planning Guide</i> .
5028400	South Korea	Refer to the document: <i>Site Planning Guide</i> .
5028431	Australia	Refer to the document: <i>Site Planning Guide</i> .
5009152	Japan	Refer to the document: <i>Site Planning Guide</i> .
5029431	China	Refer to the document: <i>Site Planning Guide</i> .
5044093	India	Refer to the document: <i>Site Planning Guide</i> .

Roughing Pump

Table 2-4 Roughing Pump Spares

Part Number	Description	Remark
028685	Roughing pump oil return tubing for the HS602 roughing pump.	For SCIEX 3200, 4000, and 5000 systems. Refer to the document: <i>Qualified Maintenance Person Guide</i> .
1034438	Exhaust filter cartridge for the MS 40 roughing pump.	For SCIEX 6500/6500+ and 7500/7500+ systems. Note: In the oil-sealed roughing pump configuration, the SCIEX 7500/7500+ systems are configured with dual MS 40 and MS 120 roughing pumps.
5081834	Exhaust filter cartridge for the MS 120 roughing pump.	For the SCIEX 7500/7500+ systems.

Spare Parts

Table 2-4 Roughing Pump Spares (continued)

Part Number	Description	Remark
5037860	Roughing pump oil change kit. The kit contains a roughing pump oil extraction system that makes the process to change the oil faster and easier.	Contact an FSE. Note: Not for use with the HS602 roughing pump.
9499342	Roughing pump oil exhaust filter for the HS602 roughing pump.	For SCIEX 3200, 4000, and 5000 systems. Refer to the document: <i>Qualified Maintenance Person Guide</i> .

Turbo V, IonDrive Turbo V, and DuoSpray Ion Sources

For maintenance procedures, refer to the documentation that is supplied with the ion source.

Table 2-5 Turbo V, IonDrive Turbo V, and DuoSpray Ion Source Spares

Part Number	Description	Remark
1005100	TurbolonSpray probe assembly for the DuoSpray ion source.	Refer to the document: <i>DuoSpray Ion Source Operator Guide</i> .
5041898	Twin ESI probe assembly.	For X500 QTOF and ZenoTOF 7600/7600+ systems. Refer to the document: <i>Turbo V Ion Source Operator Guide</i> .
5041899	Twin APCI probe assembly.	For X500 QTOF and ZenoTOF 7600/7600+ systems. Refer to the document: <i>Turbo V Ion Source Operator Guide</i> .
5060806	ESI probe assembly. Refer to the figure: Figure 2-1 .	For SCIEX Triple Quad, QTRAP, and TripleTOF systems. Refer to the document: <i>Operator Guide</i> for the ion source or the <i>SCIEX 3200 Systems System User Guide</i> .

Table 2-5 Turbo V, IonDrive Turbo V, and DuoSpray Ion Source Spares (continued)

Part Number	Description	Remark
5060807	APCI probe assembly. Refer to the figure: Figure 2-2 .	For SCIEX Triple Quad, QTRAP, and TripleTOF systems. Refer to the document: <i>Operator Guide</i> for the ion source or the <i>SCIEX 3200 Systems System User Guide</i> .

Figure 2-1 TurbolonSpray Probe Assembly (PN 5060806)

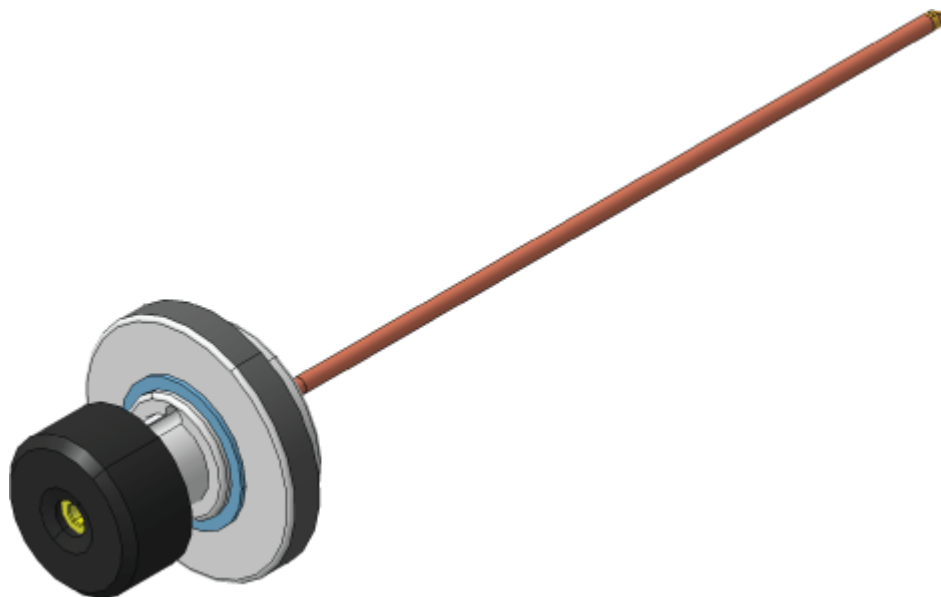
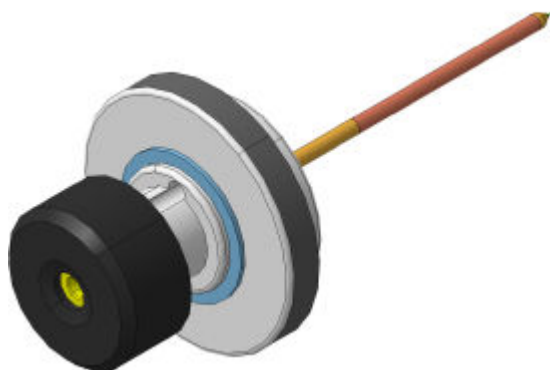


Figure 2-2 APCI Probe Assembly (PN 5060807)



OptiFlow Turbo V Ion Source

For maintenance procedures, refer to the documentation that is supplied with the ion source.

Table 2-6 OptiFlow Turbo V Ion Source Spares

Part Number	Description	Remark
5066024	Micro 50-200 μL probe. Flow rates between 50 $\mu\text{L}/\text{min}$ and 200 $\mu\text{L}/\text{min}$.	Refer to the document: <i>OptiFlow Turbo V Ion Source Operator Guide</i> . Note: PN 5066024 has replaced PN 5063236, SteadySpray ANALYTICAL probe.
5066026	Micro 1-50 μL probe. Flow rates between 1 $\mu\text{L}/\text{min}$ and 50 $\mu\text{L}/\text{min}$.	Refer to the document: <i>OptiFlow Turbo V Ion Source Operator Guide</i> . Note: PN 5066026 has replaced PN 5063235, SteadySpray MICRO probe.
5071350	Analytical > 200 μL probe. Flow rates more than 200 $\mu\text{L}/\text{min}$.	Refer to the document: <i>OptiFlow Turbo V Ion Source Operator Guide</i> .
5067457	Nano < 1 μL probe. Flow rates between 100 nL/min and 1,000 nL/min.	Refer to the document: <i>OptiFlow Turbo V Ion Source Operator Guide</i> . Note: PN 5067457, SteadySpray NANO probe, has been renamed Nano < 1 μL probe.
5083897	ESI Calibration probe. Flow rates between 1 $\mu\text{L}/\text{min}$ and 2,000 $\mu\text{L}/\text{min}$.	Refer to the document: <i>OptiFlow Turbo V Ion Source for the ZenoTOF 7600/7600+ System Operator Guide</i> .
5060962	Probe port plug.	Refer to the document: <i>OptiFlow Turbo V Ion Source Operator Guide</i> .

Figure 2-3 Micro, Analytical, or Nano Probe



OptiFlow Pro Ion Source

For maintenance procedures, refer to the documentation that is supplied with the ion source.

Table 2-7 OptiFlow Pro Ion Source Spares

Part Number	Description	Remark
5066024	Micro 50-200 μL probe. Flow rates between 50 μL and 200 μL .	Refer to the document: <i>OptiFlow Pro Ion Source Operator Guide</i> .
5066026	Micro 1-50 μL probe. Flow rates between 1 μL and 50 μL .	Refer to the document: <i>OptiFlow Pro Ion Source Operator Guide</i> .
5071350	Analytical probe. Flow rates more than 200 μL .	Refer to the document: <i>OptiFlow Pro Ion Source Operator Guide</i> .
5071583	E Lens probe (Analytical).	Refer to the document: <i>OptiFlow Pro Ion Source Operator Guide</i> .
5074815	E Lens probe (Micro). Flow rates between 1 μL to 200 μL .	Refer to the document: <i>OptiFlow Pro Ion Source Operator Guide</i> .
5060962	Probe port plug.	Refer to the document: <i>OptiFlow Pro Ion Source Operator Guide</i> .
5078980	Infusion adapter.	Refer to the document: <i>OptiFlow Pro Ion Source Operator Guide</i> .
5312422	Grounding union.	Refer to the document: <i>OptiFlow Pro Ion Source Operator Guide</i> .

Spare Parts

Figure 2-4 Micro or Analytical Probe



NanoSpray Ion Source

For maintenance procedures, refer to the documentation that is supplied with the ion source.

Table 2-8 Mains Supply Cables by Country

Part Number	Country	Remark
5028431	Australia	N/A
5029431	China	N/A
5027841	Europe	N/A
5027961	Italy	N/A
5029429	Japan	N/A
400-00023	North America	N/A
5028400	South Korea	N/A
5027461	Switzerland	N/A
5027349	United Kingdom	N/A

Mass Spectrometer

For maintenance procedures, refer to the documentation that is supplied with the mass spectrometer.

Table 3-1 Mass Spectrometer Consumables

Part Number	Description	Remark
5301997	Essential 7600 Interface kit	Contains the 5,000-psi rotor, stator, O-rings (9).
Cleaning		
5313530	Front-end cleaning kit, SCIEX 3200, 4000, 3500, 4500, 5000, and 5500 systems	Refer to the document: <i>Qualified Maintenance Person Guide</i> . Contains the small poly swabs, lint-free wipes, Q0 cleaning tool, straight custom brush, and cleaning powder.
5313531	Front-end cleaning kit, TripleTOF systems	Refer to the document: <i>Qualified Maintenance Person Guide</i> . Contains the small poly swabs, lint-free wipes, Q0 cleaning tool, tapered custom brush, and cleaning powder.
5313532	Front-end cleaning kit, SCIEX 5500+, 6500, 6500+, and 7500 systems	Refer to the document: <i>Qualified Maintenance Person Guide</i> . Contains the small poly swabs, lint-free wipes, Q0 cleaning tool, straight cleaning brush for the IonDrive QJet ion guide, and cleaning powder.
5312474	Front-end cleaning kit, SCIEX 7500+ systems	Refer to the document: <i>Qualified Maintenance Person Guide</i> . Contains the small poly swabs, lint-free wipes, and SCIEX cleaning powder.

Consumables

Table 3-1 Mass Spectrometer Consumables (continued)

Part Number	Description	Remark
5313513	Cleaning kit for the DJet+ assembly	Refer to the document: <i>Qualified Maintenance Person Guide</i> . Contains the cleaning tray, 1.5-mm long-shaft screwdriver, 2.5-mm long-shaft screwdriver, extraction tool, and retaining ring removal tool.
018027	Lint-free wipe	Refer to the document: <i>Qualified Maintenance Person Guide</i> .
1017396	Small poly swab, 1 pack of 10	Refer to the document: <i>Qualified Maintenance Person Guide</i> .
1028234	Q0 cleaning tool	Refer to the document: <i>Qualified Maintenance Person Guide</i> .
5020893	Cleaning powder	Refer to the document: <i>Qualified Maintenance Person Guide</i> .
5020894	Straight custom brush for the ion guide for SCIEX 3500, 4500, and 5500 systems	Refer to the document: <i>Qualified Maintenance Person Guide</i> .
5020895	Tapered custom brush for the IonDrive QJet ion guide for SCIEX 5500+ and 6500/6500+ systems	Refer to the document: <i>Qualified Maintenance Person Guide</i> .
Solutions		
4376887	Triazine standard solution	Refer to the document: <i>Customer Familiarization Checklist</i> .
4406127	PPGs chemical standards kit	Refer to the document: <i>Ion Source Tests, Specifications, and Data Log</i> .
5077206	MS single tuning solution kit, contains MS Single Tuning Solution (5077207) and MS Wash Solvent (5077210)	Refer to the document: <i>System User Guide</i> .
Filters		
1007740	Card cage air filter	For SCIEX 3200 systems. Refer to the document: <i>Qualified Maintenance Person Guide</i> .

Table 3-1 Mass Spectrometer Consumables (continued)

Part Number	Description	Remark
1027708	Mass spectrometer air filter kit with four air filters	For SCIEX 3500, 4500, 5500/5500+, 6500/6500+, and 7500/7500+ systems. Refer to the document: <i>Qualified Maintenance Person Guide</i> .
1032854	Cooling fan filter	For TripleTOF systems. Refer to the document: <i>Qualified Maintenance Person Guide</i> .
5075399	CDS filters, 10 μ m	Refer to the documents: <i>ZenoTOF 7600 System User Guide</i> or <i>ZenoTOF 7600+ System User Guide</i> .

Roughing Pump

For maintenance procedures, refer to the documentation that is supplied with the mass spectrometer.

Table 3-2 Roughing Pump Consumables

Part Number	Description	Remark
010998	Roughing pump oil for the HS602 roughing pump, 1 L	For SCIEX 3200, 4000, and 5000 systems with the HS602 roughing pump. Refer to the document: <i>Qualified Maintenance Person Guide</i> .
5043115	Roughing pump oil for the SV roughing pumps, 1 L	For SCIEX 3500, 4500, 5500/5500+, TripleTOF, and ZenoTOF 7600/7600+ systems. Refer to the document: <i>Qualified Maintenance Person Guide</i> . Note: Two bottles of oil might be required.

Consumables

Table 3-2 Roughing Pump Consumables (continued)

Part Number	Description	Remark
5064867	Roughing pump oil for the MS 40 and MS 120 roughing pumps. The MS 40 requires 1 L of oil. The MS 120 requires 1.8 L of oil.	For SCIEX 6500/6500+ and 7500/7500+ systems. Refer to the document: <i>Qualified Maintenance Person Guide</i> . Note: The SCIEX 7500/7500+ system is configured with dual MS 40 and MS 120 roughing pumps.

Turbo V and IonDrive Turbo V Ion Sources

For maintenance procedures, refer to the documentation that is supplied with the ion source.

Table 3-3 Turbo V Ion Source and IonDrive Turbo V Ion Source Consumables

Part Number	Description	Remark
017819	O-ring for the vacuum interface	Refer to the document: <i>System User Guide</i> .
5051034	Corona discharge needle	Refer to the document: <i>Operator Guide</i> for the ion source or the <i>SCIEX 3200 Systems System User Guide</i> .
Kits		
5050361	Turbo probe essential kit	TurbolonSpray probe for the Turbo V ion source. Supports flow rates from 5 $\mu\text{L}/\text{min}$ to 3,000 $\mu\text{L}/\text{min}$ without splitting. Useful for quantitation at high sensitivity and high flow rates.
5058491	Essential MS electrode turbo kit	For the Turbo V ion source. Contains the electrodes (5), spring, O-ring, and fittings.
5058494	Essential MS ceramic heater kit	For the Turbo V ion source. Contains the ceramic turbo heater, electrodes (2), red PEEK tubing (80 cm), spring, O-ring, and fittings.

Table 3-3 Turbo V Ion Source and IonDrive Turbo V Ion Source Consumables (continued)

Part Number	Description	Remark
5058495	Essential MS kit	For the Turbo V ion source. Contains the electrodes (2), red PEEK tubing (80 cm), spring, O-ring, and fittings.
5062269	Essential MS metal heater kit	For the Turbo V ion source. Contains the metal turbo heater, electrodes (2), red PEEK tubing (80 cm), spring, O-ring, and fittings.
5062313	Essential MS IonDrive ion source heater kit	For the IonDrive Turbo V ion source. Contains the turbo heater, electrodes (2), red PEEK tubing (80 cm), spring, O-ring, and fittings.
5071314	MS maintenance essentials kit	Contains one 3/16-i.d. O-ring, red PEEK tubing (80 cm), two 10/32-inch × 1/16-inch PEEK fittings, two TurbolonSpray electrodes, one 1/16-inch union, one spring for the Turbo V ion source, one PPGs chemical standards kit (low-high concentration), one 1/16-inch short hex PEEK fitting.
5087378	Essential MS X500 heater kit	Contains the PEEK-clad fused-silica tubing (10 cm), inline check valve, PEEK fittings (2), flangeless nuts (2), 1.16-inch union fitting, and metal turbo heater.
5087380	Essential MS X500 kit	Contains the PEEK tubing (180 cm), 2.11-inch × 0.14-inch O-ring, 2.1-inch × 0.07-inch O-rings (2), twin ESI electrodes (2).
5301994	Essential 7600 ion source kit	Contains the O-ring, IQ0 lens, IQ00 lens, metal turbo heater kit, and corona discharge needle kit.
Turbo Heaters		
5051082	Metal-encased turbo heater for the Turbo V ion source	Refer to the document: <i>Qualified Maintenance Person Guide</i> .
5054421	Ceramic-encased turbo heater for the Turbo V ion source	Refer to the document: <i>Qualified Maintenance Person Guide</i> .

Consumables

Table 3-3 Turbo V Ion Source and IonDrive Turbo V Ion Source Consumables (continued)

Part Number	Description	Remark
5054661	Turbo heater for the IonDrive Turbo V ion source without covers	Refer to the document: <i>Qualified Maintenance Person Guide</i> .
5058778	Turbo heater for the Turbo V ion source with covers	Refer to the document: <i>Qualified Maintenance Person Guide</i> .
Electrodes		
5052616	Electrode for the TurbolonSpray probe	For SCIEX Triple Quad, QTRAP, and TripleTOF systems. Refer to the document: <i>Operator Guide</i> for the ion source or the <i>SCIEX 3200 Systems System User Guide</i> .
5053788	Electrode for the APCI probe	For SCIEX Triple Quad, QTRAP, and TripleTOF systems. Refer to the document: <i>Operator Guide</i> for the ion source or the <i>SCIEX 3200 Systems System User Guide</i> .
5049795	Electrode for the twin ESI probe	For X500 QTOF and ZenoTOF 7600/7600+ systems. Refer to the document: <i>Turbo V Ion Source Operator Guide</i> .
5054901	Electrode for the twin APCI probe	For X500 QTOF and ZenoTOF 7600/7600+ systems. Refer to the document: <i>Turbo V Ion Source Operator Guide</i> .
Tubing and Fittings		
016316	Red PEEK tubing (0.005-inch bore), 100 cm	Sample tubing, 100 cm.
016325	Brown PEEK fitting, pack of 5	Sample tubing nut.
016485	Tan PEEK tubing (0.0025-inch bore)	Specify order quantity in cm.
019675	Tee insert (0.25-mm bore)	Grounding union connection.

Figure 3-1 Red PEEK Tubing: SCIEX Triple Quad, QTRAP, and TripleTOF Systems

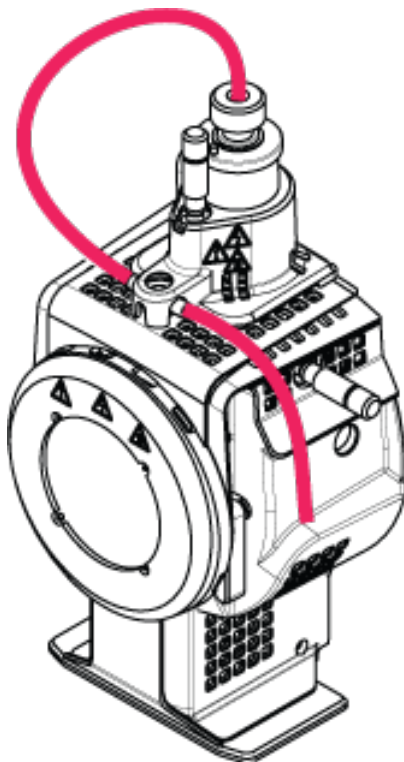
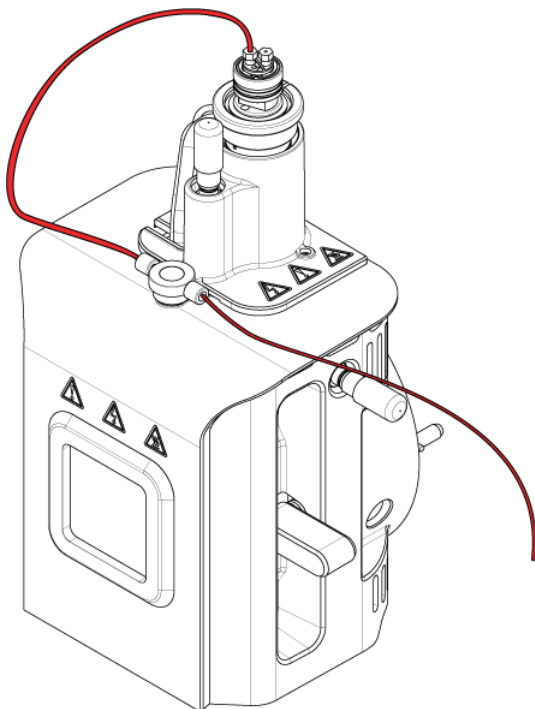


Figure 3-2 Red PEEK Tubing: X500 QTOF and ZenoTOF 7600/7600+ Systems



OptiFlow Turbo V Ion Source

For maintenance procedures, refer to the documentation that is supplied with the ion source.

Table 3-4 OptiFlow Turbo V Ion Source Consumables

Part Number	Description	Remark
5060726	Installation kit (Micro).	Contains spare parts for a new installation.
5069262	Nano upgrade kit.	Contains Nano parts required to operate the system with the Nano probe and column heater.
Electrodes		
5061574	Electrode 1-10 μL . Flow rates between 1 $\mu\text{L}/\text{min}$ and 10 $\mu\text{L}/\text{min}$. Pack of 5.	Refer to the document: <i>OptiFlow Turbo V Ion Source Operator Guide</i> . Note: PN 5061574, SteadySpray LOW MICRO electrode, has been renamed Electrode 1-10 μL .

Table 3-4 OptiFlow Turbo V Ion Source Consumables (continued)

Part Number	Description	Remark
5061575	Electrode 10-50 μ L. Flow rates between 10 μ L/min and 50 μ L/min. Pack of 5.	Refer to the document: <i>OptiFlow Turbo V Ion Source Operator Guide</i> . Note: PN 5061575, SteadySpray MICRO electrode, has been renamed Electrode 10-50 μ L.
5061576	Electrode 50-200 μ L. Flow rates between 50 μ L/min and 200 μ L/min. Pack of 2.	Refer to the document: <i>OptiFlow Turbo V Ion Source Operator Guide</i> . Note: PN 5061576, SteadySpray HIGH MICRO electrode, has been renamed Electrode 50-200 μ L.
5061577	Micro electrodes starter pack. Mixed pack of 5 electrodes.	Refer to the document: <i>OptiFlow Turbo V Ion Source Operator Guide</i> .
5070382	Nano electrodes starter pack. Flow rates between 100 nL/min and 1,000 nL/min. Pack of 5.	Refer to the document: <i>OptiFlow Turbo V Ion Source Operator Guide</i> .
5079351	ESI calibration electrode. Flow rates between 1 μ L/min and 200 μ L/min.	Refer to the document: <i>OptiFlow Turbo V Ion Source Operator Guide</i> .
Fittings and O-rings		
5060978	Stainless steel upper fitting for the column connection.	Refer to the document: <i>OptiFlow Turbo V Ion Source Operator Guide</i> .
5061373	PEEK upper fitting for the Micro column connection.	Refer to the document: <i>OptiFlow Turbo V Ion Source Operator Guide</i> .
5053325	PEEK ferrule for 1/16-inch o.d. tubing.	N/A
5055764	Lower probe O-ring, 10 mm i.d. \times 1.5 mm.	N/A
5045265	Upper probe O-ring, 4 mm i.d. \times 1.0 mm.	N/A

OptiFlow Pro Ion Source

For maintenance procedures, refer to the documentation that is supplied with the ion source.

Consumables

Table 3-5 OptiFlow Pro Ion Source Consumables

Part Number	Description	Remark
5060726	Installation kit (Micro).	Contains spare parts for a new installation.
5312422	Grounding union kit.	Contains the grounding union, fittings, and screws.
Kits		
5087381	Essential MS electrode kit for the OptiFlow Pro ion source.	Contains Analytical electrodes (5), tubing (80 cm), fittings (2), and a 5,000-psi rotor.
5087279	Essential MS kit for the OptiFlow Pro ion source.	Contains Analytical electrodes (2), tubing (80 cm), fittings (2), and a 5,000-psi rotor.
Electrodes		
5061574	Electrode 1-10 μ L. Flow rates between 1 μ L/min and 10 μ L/min. Pack of 5.	Refer to the document: <i>OptiFlow Pro Ion Source Operator Guide</i> .
5061575	Electrode 10-50 μ L. Flow rates between 10 μ L/min and 50 μ L/min. Pack of 5.	Refer to the document: <i>OptiFlow Pro Ion Source Operator Guide</i> .
5061576	Electrode 50-200 μ L. Flow rates between 50 μ L/min and 200 μ L/min. Pack of 2.	Refer to the document: <i>OptiFlow Pro Ion Source Operator Guide</i> .
5061577	Micro electrodes starter pack. Mixed pack of 5 electrodes.	Refer to the document: <i>OptiFlow Pro Ion Source Operator Guide</i> .
5071438	Electrode Analytical.	Refer to the document: <i>OptiFlow Pro Ion Source Operator Guide</i> .
5076874	Electrode APCI.	Refer to the document: <i>OptiFlow Pro Ion Source Operator Guide</i> .
Fittings and O-rings		
5060978	Stainless steel upper fitting for the column connection.	Refer to the document: <i>OptiFlow Pro Ion Source Operator Guide</i> .
5061373	PEEK upper fitting for the Micro column connection.	Refer to the document: <i>OptiFlow Pro Ion Source Operator Guide</i> .
5053325	PEEK ferrule for 1/16-inch o.d. tubing.	N/A

Table 3-5 OptiFlow Pro Ion Source Consumables (continued)

Part Number	Description	Remark
5055764	Lower probe O-ring, 10 mm i.d. × 1.5 mm.	N/A
5045265	Upper probe O-ring, 4 mm i.d. × 1.0 mm.	N/A

DuoSpray Ion Source

For maintenance procedures, refer to the documentation that is supplied with the ion source.

Table 3-6 DuoSpray Ion Source Consumables

Part Number	Description	Remark
026626	Spring for probe	N/A
027497	Gold-plated spring for HV connection	N/A
Corona Discharge Needle		
027013	Spring for corona discharge needle	N/A
1006174	Corona discharge needle rod	Refer to the document: <i>DuoSpray Ion Source Operator Guide</i> .
1006177	Corona discharge needle tip	Refer to the document: <i>DuoSpray Ion Source Operator Guide</i> .
Electrodes		
5052616	Electrode for the TurbolonSpray probe	Refer to the document: <i>DuoSpray Ion Source Operator Guide</i> .
5053788	Electrode for the APCI probe	Refer to the document: <i>DuoSpray Ion Source Operator Guide</i> .
Tubing, Fittings, and O-rings		
016316	Red PEEK tubing (0.005-inch bore), 100 cm	For TripleTOF systems. Sample tubing. Refer to the document: <i>DuoSpray Ion Source Operator Guide</i> .
016325	Brown PEEK fitting, pack of 5	Sample tubing nuts.

Consumables

Table 3-6 DuoSpray Ion Source Consumables (continued)

Part Number	Description	Remark
1005601	PEEK tubing kit to connect to the TurbolonSpray probe, 30 cm	For SCIEX Triple Quad and QTRAP systems. Refer to the document: <i>DuoSpray Ion Source Operator Guide</i> .
1005602	PEEK tubing kit to connect to the APCI probe, 45 cm	For SCIEX Triple Quad and QTRAP systems. Refer to the document: <i>DuoSpray Ion Source Operator Guide</i> .
5041723	PEEK GraphTite fitting, black, 1/16 inch, pack of 2	N/A
5045984	PEEK union in the probe	N/A
017819	O-ring for the vacuum interface	Refer to the document: <i>System User Guide</i> .

NanoSpray Ion Source

For maintenance procedures, refer to the documentation that is supplied with the ion source.

Table 3-7 NanoSpray Ion Source Consumables

Part Number	Description	Remark
200-00096	Fused-silica cutter.	Refer to the document: <i>NanoSpray Ion Source Operator Guide</i> .
200-00213	Fitting and ferrule used at the nebulizer gas port.	Refer to the document: <i>NanoSpray Ion Source Operator Guide</i> .
200-00303	Stainless steel union, 1/16 inch on one end, 1/32 inch on the other.	Refer to the document: <i>NanoSpray Ion Source Operator Guide</i> .
200-00408	PEEK fitting for 360 μ M o.d. tubing.	Refer to the document: <i>NanoSpray Ion Source Operator Guide</i> .
910-00112	Adapter kit for the NanoSpray III ion source.	Includes the fittings, sleeves, adapter block and union, and emitters. Refer to the document: <i>NanoSpray Ion Source Operator Guide</i> .
1003988	Syringe for the infusion test.	Refer to the document: <i>NanoSpray Ion Source Operator Guide</i> .

Table 3-7 NanoSpray Ion Source Consumables (continued)

Part Number	Description	Remark
1006547	Green FEB sleeve, 0.0155 inch (395 μm) i.d., 1/16 inch o.d., 1.6 inch long, for the sprayer fitting.	Refer to the document: <i>NanoSpray Ion Source Operator Guide</i> .
1034697	Optional tee union for the makeup flow.	Refer to the document: <i>NanoSpray Ion Source Operator Guide</i> .
1035752	Precut (7 cm) uncoated emitter tips, 20 μm i.d., 10 μm i.d. at the tip.	Refer to the document: <i>NanoSpray Ion Source Operator Guide</i> .
1035770	O-ring at the front of the rail, for the nebulizer gas connection.	Refer to the document: <i>NanoSpray Ion Source Operator Guide</i> .
5015860	Finger-tight PEEK hex nut for the sprayer side of the straight union.	Refer to the document: <i>NanoSpray Ion Source Operator Guide</i> .
5015886	Syringe union for the fused-silica tubing.	Refer to the document: <i>NanoSpray Ion Source Operator Guide</i> .
5015900	Syringe union for use with red PEEK-lined fused-silica tubing.	Refer to the document: <i>NanoSpray Ion Source Operator Guide</i> .
5015902	Straight union.	Can also be ordered with the union holder, fittings, and thumbscrew. Refer to PN 5016361.
5016361	Straight union and holder.	The complete union assembly, which includes the holder, union, fittings, and union thumbscrew. Refer to the document: <i>NanoSpray Ion Source Operator Guide</i> .
5017932	PEEK fitting to connect the sample tubing (fused silica or PEEK-lined fused silica) to the union on the rail.	Refer to the document: <i>NanoSpray Ion Source Operator Guide</i> .
5052735	Consumables kit.	Refer to the document: <i>NanoSpray Ion Source Operator Guide</i> .

CDS

Table 3-8 ZenoTOF 7600/7600+ Systems

Part Number	Description	Remark
5301998	Essential 7600 CDS kit	Contains PEEK fittings (6), inline check valve (1), PEEK tubing (180 cm), PEEK-clad fused-silica tubing, 10 cm (9), and mobile phase filters (2).

Table 3-9 TripleTOF Systems

Part Number	Description	Quantity	Upchurch Part Number
5008141	Short PEEK nut, 1/4-28	1	LT-115
5008152	Super flangeless PEEK ferrule	2	P-260
5008157	Long natural PEEK fitting	1	F130
5008232	Black acetal plug	1	U-467BLK
5008296	Blue PEEK tubing, 1/16 inch o.d., 0.010 inch bore, 40 cm long	1	PM-1960B
5002985	Red PEEK tubing, 1/16 inch o.d., 0.125 inch bore, 40 cm long	1	PM-1945R
5008298	Green PEEK tubing, 1/16 inch o.d., 0.030 inch bore, 16 cm long	1	PM1820G
N/A	Natural FEP tubing, 1/16 inch o.d., 0.030 inch bore, 60 cm long	5	PM1000
N/A	Natural FEP tubing, 1/16 inch o.d., 0.030 inch bore, 17 cm long	1	PM1000
5008302	Green FEP tubing, 1/16 inch o.d., 0.030 inch bore, 60 cm long	2	PM1000G
5008303	PEEK bottom-of-bottle (BOB) filter assembly for 1/16-inch-o.d. tubing, 10 µm, GL-38	2	A-453
N/A	Bottle cap assembly for 1/16-inch-o.d. tubing, GL-38	5	N/A
N/A	Black knob fittings	11	N/A
N/A	PEEK ferrule	11	N/A

Table 3-9 TripleTOF Systems (continued)

Part Number	Description	Quantity	Upchurch Part Number
N/A	Rheflex nut	11	N/A

Calibration Solutions (TOF Systems)

Table 3-10 Calibration Solutions: ZenoTOF 7600/7600+ Systems

Part Number	Description	Quantity
5049910	ESI Positive Calibration Solution X500 B	100 mL
5032735	ESI Positive Calibration Solution X500, pack of 5	5 × 100 mL
5042913	ESI Negative Calibration Solution X500	100 mL
5042917	ESI Negative Calibration Solution X500, pack of 5	5 × 100 mL
5042914	APCI Positive Calibration Solution X500	100 mL
5042918	APCI Positive Calibration Solution X500, pack of 5	5 × 100 mL
5042915	APCI Negative Calibration Solution X500	100 mL
5042919	APCI Negative Calibration Solution X500, pack of 5	5 × 100 mL
5033025	Calibration Solution for SCIEX X500 B System <ul style="list-style-type: none"> • ESI Positive Calibration Solution X500 B • ESI Negative Calibration Solution X500 • APCI Positive Calibration Solution X500 • APCI Negative Calibration Solution X500 	4 × 100 mL

Table 3-11 Calibration Solutions: X500 QTOF Systems (X500 B and X500 R)

Part Number	Description	Quantity
5049910	ESI Positive Calibration Solution X500 B	100 mL
5032735	ESI Positive Calibration Solution X500, pack of 5	5 × 100 mL
5042913	ESI Negative Calibration Solution X500	100 mL
5042917	ESI Negative Calibration Solution X500, pack of 5	5 × 100 mL
5042914	APCI Positive Calibration Solution X500	100 mL
5042918	APCI Positive Calibration Solution X500, pack of 5	5 × 100 mL

Consumables

Table 3-11 Calibration Solutions: X500 QTOF Systems (X500 B and X500 R) (continued)

Part Number	Description	Quantity
5042915	APCI Negative Calibration Solution X500	100 mL
5042919	APCI Negative Calibration Solution X500, pack of 5	5 × 100 mL
5033025	Calibration Solution for SCIEX X500 B System <ul style="list-style-type: none">• ESI Positive Calibration Solution X500 B• ESI Negative Calibration Solution X500• APCI Positive Calibration Solution X500• APCI Negative Calibration Solution X500	4 × 100 mL

Table 3-12 Calibration Solutions: TripleTOF 5600/5600+ and 6600/6600+ Systems

Part Number	Description	Quantity
4460131	APCI Positive Calibration Solution for the SCIEX TripleTOF system	100 mL
4460134	APCI Negative Calibration Solution for the SCIEX TripleTOF system	100 mL
4460136	APCI Positive Calibration Solution for the SCIEX TripleTOF system, pack of 5	5 × 100 mL
4460138	APCI Negative Calibration Solution for the SCIEX TripleTOF system, pack of 5	5 × 100 mL
4463272	ESI Positive Calibration Solution for the SCIEX TripleTOF system	100 mL
4463274	ESI Positive Calibration Solution for the SCIEX TripleTOF system, pack of 5	5 × 100 mL
4463276	ESI Negative Calibration Solution for the SCIEX TripleTOF system, pack of 5	5 × 100 mL
4463277	ESI Negative Calibration Solution for the SCIEX TripleTOF system	100 mL